


MIGZONE ENDURANCE SERIES

MZ-E

air and watercooled MIG-Torches

Form a unit with your torch and weld relaxed even in heavy-duty MIG/MAG applications. The unique ergonomics of the handles in the MIGZONE Endurance series make your work easier under the toughest conditions. Robustness despite enormous lightness: This is torch technology for real professionals.

Whether air- or water-cooled, these MIG/MAG torches deliver the best performance in the power range from 150 to 550 amps. Also available as even more robust HD variants.

- Technical data according to CE EN 60 974-7
- 2-component handle robust and ergonomic
- U/D Module
- Premium components installed


60
 %ED

Torches

MZ-E (model)	A CO ₂ (EN 60974-7)	A ArCO ₂ (EN ISO 14175)	≡∅ (in mm)	Page
150G	180	150	0.6 - 1.0	2
240G	250	220	0.8 - 1.2	5
250G	230	220	0.8 - 1.2	11
360G	320	290	0.8 - 1.2	14
380G	350	320	0.8 - 1.2	17


100
 %ED

MZ-E (model)	A CO ₂ (EN 60974-7)	A ArCO ₂ (EN ISO 14175)	≡∅ (in mm)	Page
240W	325	300	0.8 - 1.2	8
400W	400	350	0.8 - 1.6	20
500W	500	450	0.8 - 1.6	23
505W	500	450	0.8 - 1.6	26
550W	550	500	0.8 - 1.6	29



MIGZONE ENDURANCE SERIES

MZ-E 150G

MIGZONE®
TORCHES60
%ED0,6
-
1,0
mm180
A_{CO2}150
A_{MIX}**i Flex Neck Special**

The MZ-E 150G is also available with flexible necks.

**i Neck Variations**

You can get our whole MZ-E series MIG Torches with rotating necks.

**Complete Torch**

MZ-E 150G cpl. with grey handle, Euro-connection
(Steel Liner 1,5x4,0mm)

3m	MZ-150GAA3E
4m	MZ-150GAA4E
5m	MZ-150GAA5E

MIGZONE MZ-E Series – air and watercooled MIG-Torch

DIN Norm

Technical data according to CE EN 60 974-7

The Handle

2-component handle - robust and ergonomic

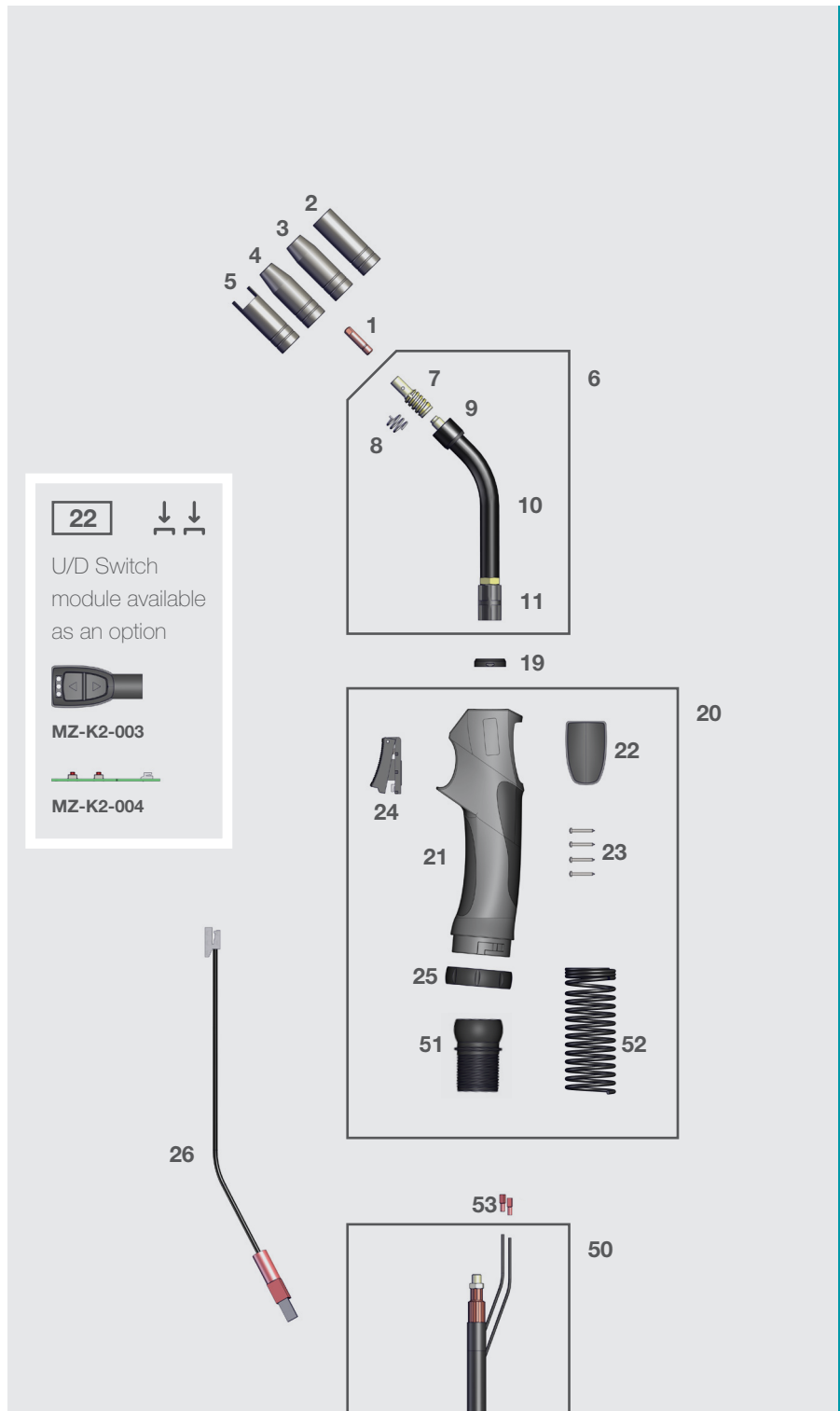
The Trigger

U/D Module (Option)

The Gun and Cable

Premium components installed

MIGZONE MZ-E 150G – aircooled MIG-Torch



Complete Torch

MZ-E 150G cpl. with grey handle, Euro-connection (Steel Liner 1,5x4,0mm)

3m	MZ-150GAA3E
4m	MZ-150GAA4E
5m	MZ-150GAA5E

Torch Front Group

1 Contact Tip M6x25	
ECu	21506xx
CuCrZr	21576xx
for Alu	21566xx

i Tips available in Ø 0.6/0.8/0.9/1.0 mm
Please insert wire diameter at **xx**.
Example: Ø **0,8** = Part No. 21506**08**

2 Gas Nozzle, cylinder	
Slip-on	2150801
Screw-On	2150811
3 Gas Nozzle, con.	
Slip-on*	2150802
Screw-On	2150812
4 Gas Nozzle, tapered	
Slip-on	2150803
5 Spot Welding Gas Nozzle	
Slip-on	2150805
Screw-On	2150815
6 Swan Neck Complete	
for Slip-on Gas Nozzle	150GM100
for Screw-On Gas Nozzle	150GM101
7 Tip Adapter	
M6* left thread L=42 mm	2150401
8 Nozzle	
Spring	2150500
9 Insulator	
Head	2150204
10 Hose	
Insulating	2150205
11 Connection MZ-K2	
Body	21140011

Handle Group

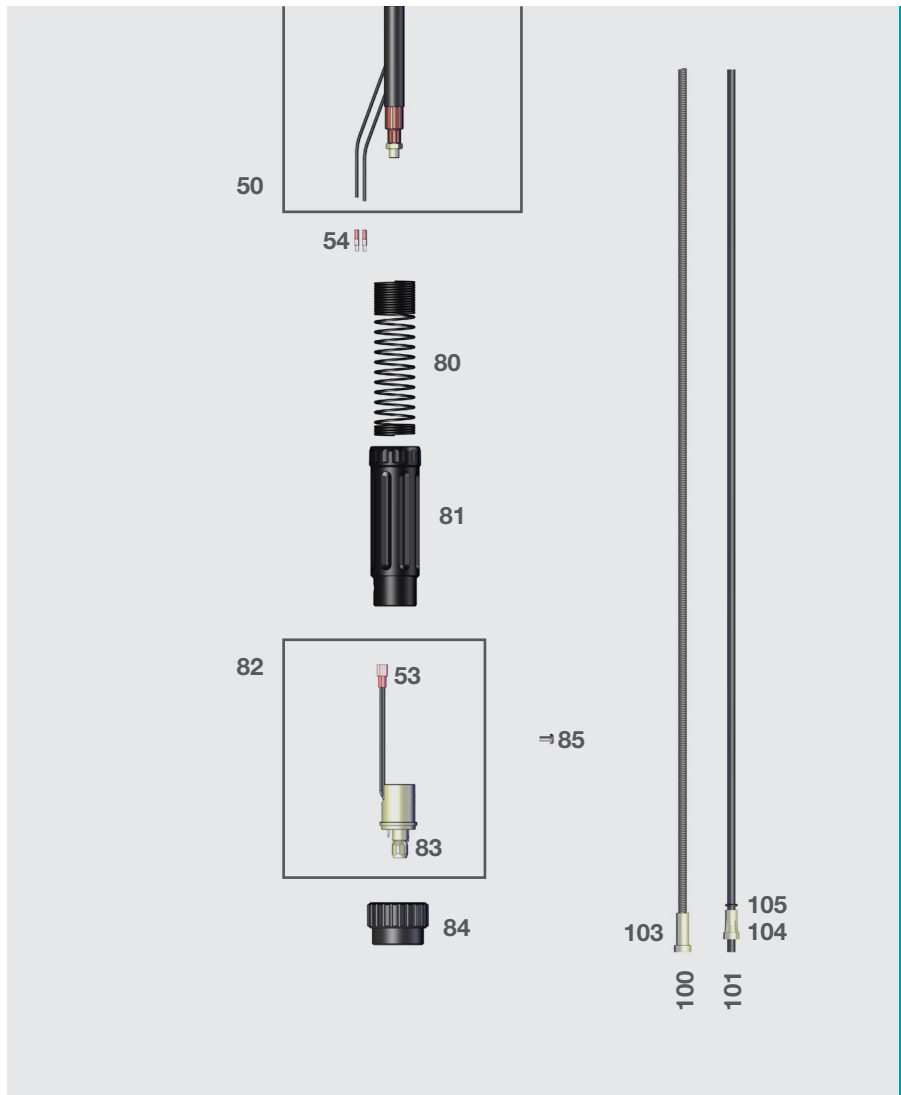
19 Reduction D16	
MZ-K2	21140041
20 MIG-Handle MZ-K2, grey	
complete, aircooled	MZ-HDL-K2G-G
21 MIG-Handle MZ-K2, grey	
left + right half	MZ-K2-001
22 Neutral top	
MZ-K2	MZ-K2-002
23 Screw for	
Handle	MZ-K2-005
24 Trigger cpl.	
MZ-K2	MZ-K2-006
25 Nut for	
Handle MZ-K2	MZ-K2-007

Cable Group

50 Coaxial Cable 16mm²	
3m	3001630
4m	3001640
5m	3001650
51 Gun Plug Housing	
Swivel	MZ-K2-008
52 Spring	
Cable Support	MZ-K2-009
53 Electrical Connector	
Female, insulated	2155100

***** Parts marked with * are included in the standard configuration

MIGZONE MZ-E 150G – aircooled MIG-Torch



Cable Group

54	Electrical Connector Male, insulated	2155200
80	Spring Cable Support	2151201
81	Gun Plug Housing	2251601
82	Gun Plug Body with Spring Loaded Pins	2151505
	Nut	
83	Liner Positioner	2151501
84	Plug	ZA-14
85	Screw for Gun Plug Body	ZA-11

Liner Group 1

100	Mono-Steel-Liner Steel 1,5 x 4,0 mm / X m blue*	34415X0
101	Mono-Synthetic-Liner PTFE 1,5 x 4,0 mm / X m blue	34115X0
	Carbon-PTFE 1,5 x 4,0 mm / X m	35115X0
	PA 1,4 x 4,0 mm / X m	35314X0

i Liners available in 3 m / 4 m / 5 m length.
Please insert length at **X**.
Example: Steel-Liner 4 m = 3441540

Collet (Mono)

103	for Steel Liner Ø 4,0 mm	2155645
104	for PTFE Liner Ø 4,0 mm	2155740
105	O-Ring for Synthetic Liner	0031500

***** Parts marked with * are included in the standard configuration

MIGZONE ENDURANCE SERIES

MZ-E 240G

MIGZONE®
TORCHES60
%ED0,8
-
1,2
mm250
A_{CO2}220
A_{MIX}**i Neck Variations**

You can get our whole MZ-E series
MIG Torches with rotating necks.

**Complete Torch**

MZ-E 240G cpl. with grey handle, Euro-connection
(Steel Liner 2,0x4,0mm)

3m	MZ-240GAA3E
4m	MZ-240GAA4E
5m	MZ-240GAA5E

MIGZONE MZ-E Series – air and watercooled MIG-Torch

DIN Norm

Technical data according to CE EN 60 974-7

The Handle

2-component handle - robust and ergonomic

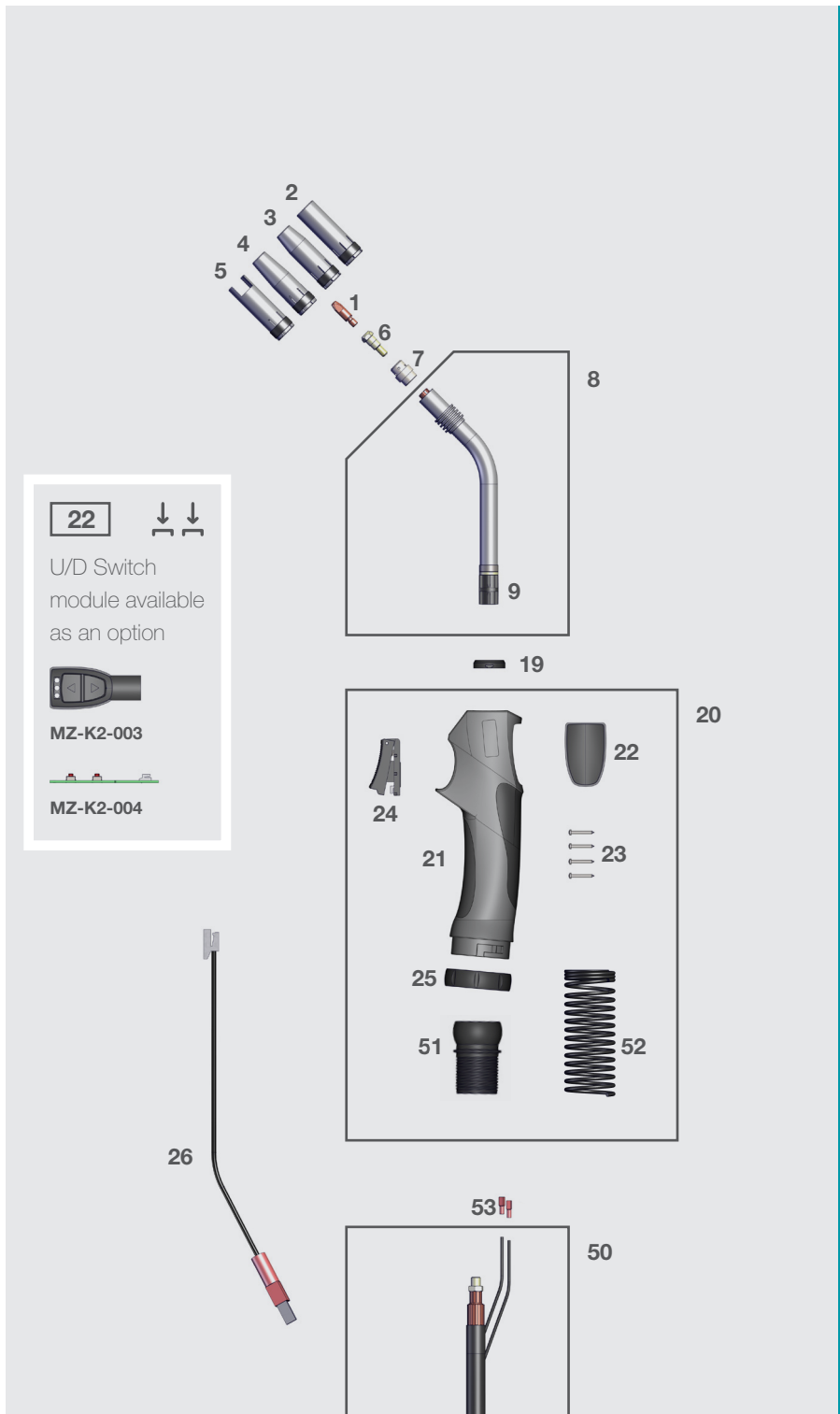
The Trigger

U/D Module (Option)

The Gun and Cable

Premium components installed

MIGZONE MZ-E 240G – aircooled MIG-Torch



22 ↓ ↓
U/D Switch module available as an option



MZ-K2-003



MZ-K2-004

* Parts marked with * are included in the standard configuration

Complete Torch

MZ-E 240G cpl. with grey handle, Euro-connection (Steel Liner 2,0x4,0mm)

3m	MZ-240GAA3E
4m	MZ-240GAA4E
5m	MZ-240GAA5E

Torch Front Group

1 Contact Tip Pro	M6x28	M8x30
ECu	22506xx	-
CuCrZr	22576xx	-
for Alu	22566xx	-
Contact Tip Eco	M6x28	M8x30
ECu	22506xxL	-
CuCrZr	22576xxL	-

i Tips available in Ø 0.8/0.9/1.0/1.2 mm
Please insert wire diameter at **xx**.
Example Ø **1,0** mm is: 10; Art.-No.: = 2250610

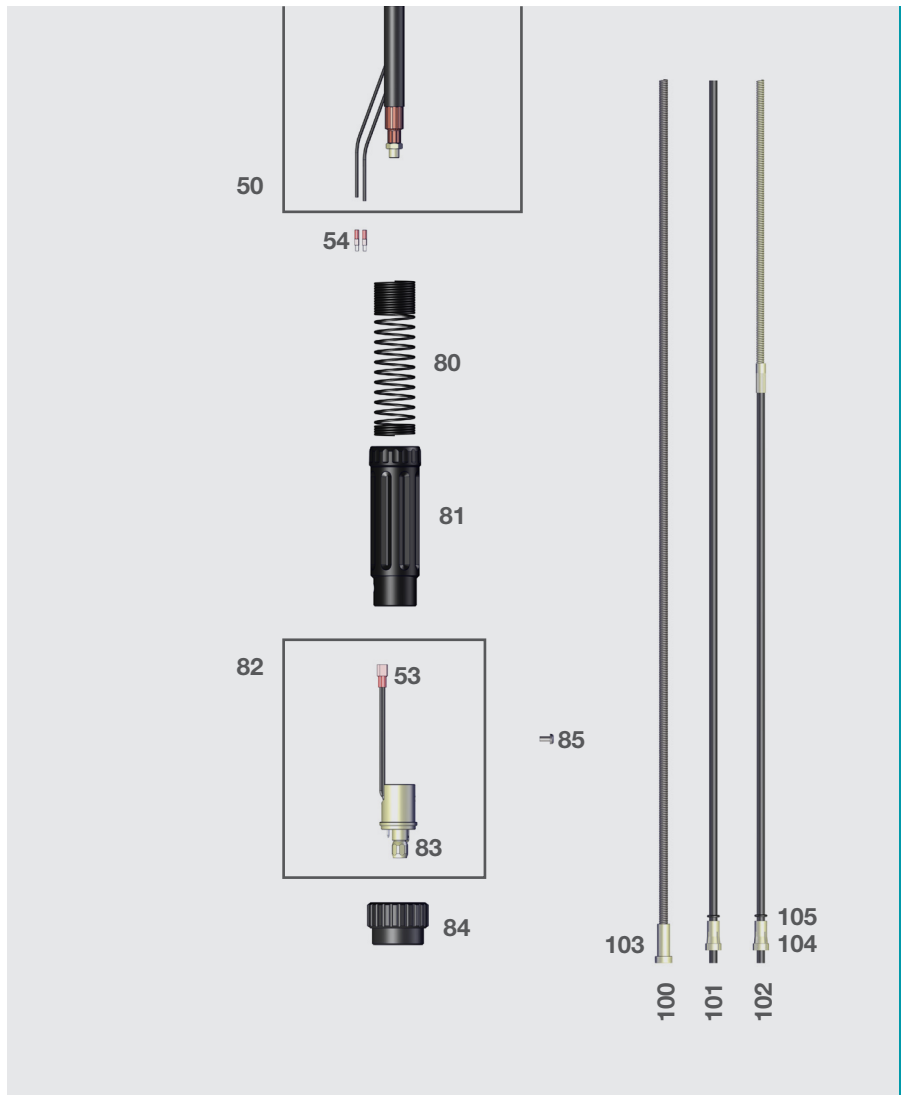
Gas Nozzle L=63,5mm		
2 cylinder NW17		2240801
3 conical NW12,5*		2240802
4 tapered NW12,5		2240803
5 Spot Welding NW17		2240805
6 Tip Adapter	M6	M8
short L=26mm	2240406	-
long	-	-
7 Gas Diffuser		
white*		2240702
black		2240700
8 Swan Neck		
MZ-E 240G, complete		240GM100
9 Connection Body		
MZ-K2		21140011

Handle Group

19 Reduction D16		
MZ-K2		21140041
20 MIG-Handle MZ-K2, grey		
complete, aircooled		MZ-HDL-K2G-G
21 MIG-Handle MZ-K2, grey		
left + right half		MZ-K2-001
22 Neutral top		
MZ-K2		MZ-K2-002
23 Screw for		
Handle		MZ-K2-005
24 Trigger cpl.		
MZ-K2		MZ-K2-006
25 Nut for		
Handle MZ-K2		MZ-K2-007
26 MZ-K2, 2pol. Female connection		
with cables		21140062K

Cable Group

50 Coaxial Cable 35mm ²		
3m		3003530
4m		3003540
5m		3003550
51 Gun Plug Housing		
Swivel		MZ-K2-008
52 Spring		
Cable Support		MZ-K2-009
53 Electrical Connector		
Female, insulated		2155100



Cable Group

54	Electrical Connector Male, insulated	2155200
80	Spring Cable Support	2151201
81	Gun Plug Housing	2251601
82	Gun Plug Body with Spring Loaded Pins	2151505
	Nut	
83	Liner Positioner	2151501
84	Plug	ZA-14
85	Screw for Gun Plug Body	ZA-11

Liner Group 2

100	Mono-Steel-Liner Steel 1,5 x 4,0 mm / X blue Steel 2,0 x 4,0 mm / X red*	34415X0 34420X0
101	Mono-Synthetic-Liner PTFE 1,5 x 4,0 mm blue PTFE 2,0 x 4,0 mm red Carbon-PTFE 1,5 x 4,0 mm / X m Carbon-PTFE 2,0 x 4,0 mm / X m PA 1,4 x 4,0 mm / X m PA 2,0 x 4,0 mm / X m	34115X0 34120X0 35115X0 35120X0 35314X0 35220X0
102	Combi-Synthetic-Liner PTFE 1,5 x 4,0 mm / X m blue PTFE 2,0 x 4,0 mm / X m red Carbon-PTFE 1,5 x 4,0 mm / X m Carbon-PTFE 2,0 x 4,0 mm / X m PA 1,4 x 4,0 mm / X m PA 2,0 x 4,0 mm / X m	34115X0K 34120X0K 35115X0K 35120X0K 35314X0K 35320X0K

i Liners available in 3 m / 4 m / 5 m length.
Please insert length at **X**.
Example: Steel-Liner 4 m = 3441540

	Collet (Mono & Combi)	
103	for Steel Liner Ø 4,0 mm	2155645
104	for Synthetic Liner Ø 4,0 mm	2155740
105	O-Ring for Synthetic and Combi Liner	0031500

***** Parts marked with * are included in the standard configuration

MIGZONE ENDURANCE SERIES

MZ-E 240W

MIGZONE®
TORCHES100
%ED0,8
-
1,2
mm325
A_{CO2}300
A_{MIX}**i Neck Variations**

You can get our whole MZ-E series
MIG Torches with rotating necks.

**Complete Torch**

MZ-E 240W cpl. with grey handle,
Euro-connection (Steel Liner 2,0x4,5mm)

3m	MZ-240WAA3E
4m	MZ-240WAA4E
5m	MZ-240WAA5E

MIGZONE MZ-E Series – air and watercooled MIG-Torch

DIN Norm

Technical data according to CE EN 60 974-7

The Handle

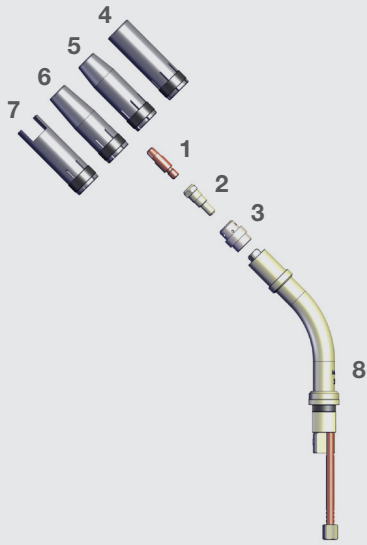
2-component handle - robust and ergonomic

The Trigger

U/D Module (Option)

The Gun and Cable

Premium components installed



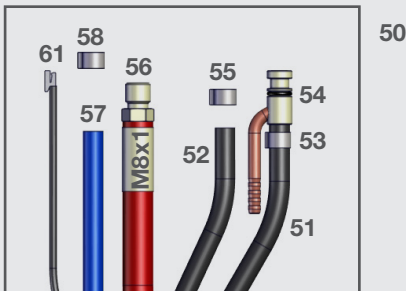
22 ↓ ↓
 U/D Switch module available as an option



MZ-K2-003



MZ-K2-004



Cable Group			
Part	3m	4m	5m
50 Cable Assembly MZ-E cpl.	24139M30	24139M40	24139M50
51 Outer Liner MZ-E cpl.	25146M30	25146M40	25146M50
56 Power Cable cpl.	2414130	2414140	2414150
61 Control Cable MZ-E cpl.	24144M30	24144M40	24144M50

Complete Torch

MZ-E 240W cpl. with grey handle, Euro-connection (Steel Liner 2,0x4,0mm)

3m	MZ-240WAA3E
4m	MZ-240WAA4E
5m	MZ-240WAA5E

Torch Front Group

1 Contact Tip Pro	M6x28	M8x30
ECu	22506xx	-
CuCrZr	22576xx	-
for Alu	22566xx	-
Contact Tip Eco	M6x28	M8x30
ECu	22506xxL	-
CuCrZr	22576xxL	-

i Tips available in Ø 0.8/0.9/1.0/1.2 mm
 Please insert wire diameter at **xx**.
 Example Ø **1,0** mm is: 10; Art.-No.: = 22506**10**

2 Tip Adapter	M6	M8
short L=26mm	2240406	-
long	-	-
3 Gas Diffuser		
white*		2240702
black		2240700
Gas Nozzle L=63,5mm		
4 cylinder NW17		2240801
5 conical NW12,5*		2240802
6 tapered NW12,5		2240803
7 Spot Welding NW17		2240805
8 Swan Neck		
MZ-E 240W, complete		240WM100

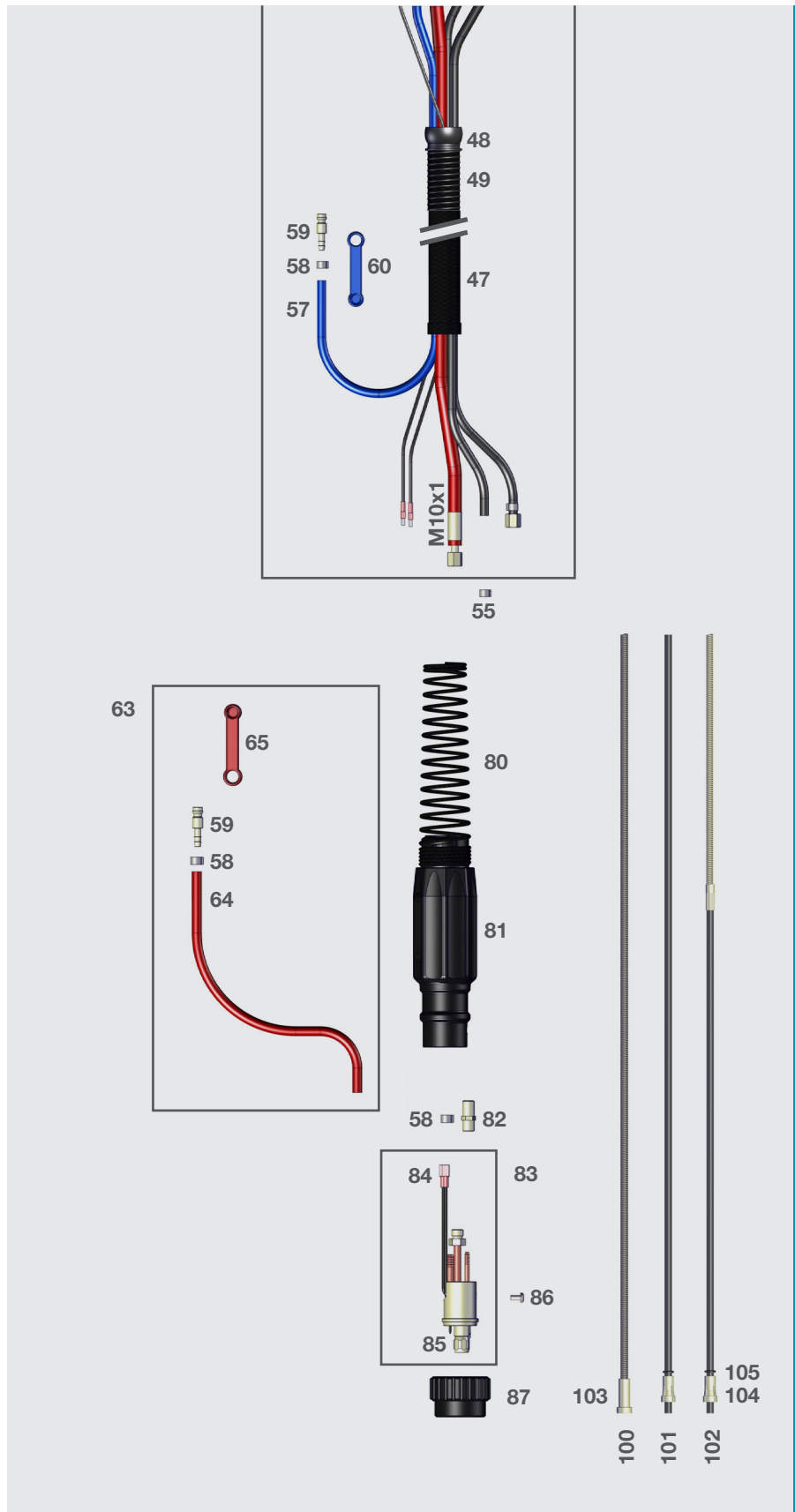
Handle Group

20 MIG-Handle MZ-K2, grey complete, watercooled	MZ-HDL-K2G-W
21 MIG-Handle MZ-K2, grey left + right half	MZ-K2-001
22 Neutral top MZ-K2	MZ-K2-002
23 Screw for Handle	MZ-K2-005
24 Trigger cpl. MZ-K2	MZ-K2-006
25 Nut for Handle MZ-K2	MZ-K2-007

Cable Group

48 Gun Plug Housing Swivel	MZ-K2-008
49 Spring Cable Support	MZ-K2-010
Single Ear Clamp	
53 D = 11,8	11.8GER
55 D = 8,7	08.7GER
58 D = 10,0	10.0GER
52 Gas Hose Ø 4,0x1,5 (PU=100m)	0550111
54 Connector Wire-Gas	21201027
57 Water Hose blue Ø 5,0x1,5, (PU=200m)	CR05/8 BL

***** Parts marked with * are included in the standard configuration



Cable Group

47	Cover Hose MZ-E (PU=40m)	WS-2
48	Gun Plug Housing Swivel	MZ-K2-008
49	Spring Cable Support	MZ-K2-010
	Single Ear Clamp	
53	D = 11,8	11.8GER
55	D = 8,7	08.7GER
58	D = 10,0	10.0GER
59	Water Hose Nipple	T0535
	Water Stop	
60	blue	TZ-KAPPE-1
65	red	TZ-KAPPE-2
63	Water Outlet Hose cpl. 0,55m	2414705
64	Water Hose red Ø 5,0x1,5 (PU=200m)	CR05/8 RO
80	Cable Support Spring	2411611
81	Plug Housing without nut	2411600S1
82	Nipple Threaded	2411501
83	Gun Plug Body with Spring Loaded Pins	2411505
84	Female Electrical Connector insulated	2155100
	Nut	
85	Liner Positioner	2151501
87	Plug	ZA-14
86	Screw for Gun Plug Body	ZA-11

Liner Group 4

100	Mono-Steel-Liner	
	1,5 x 4,0 mm / X m	34015X1
	2,0 x 4,0 mm / X m	34020X1
	2,0 x 4,5 mm / X m*	34520X1
	2,5 x 4,5 mm / X m	34525X1
101	Mono-Synthetic-Liner	
	PTFE 1,5 x 4,0 mm / X m blue	34115X0
	PTFE 2,0 x 4,0 mm / X m red	34120X0
	PTFE 2,7 x 4,7 mm / X m yellow	34727X0
	Carbon-PTFE 1,5 x 4,0 mm / X m	35115X0
	Carbon-PTFE 2,0 x 4,0 mm / X m	35120X0
	Carbon-PTFE 2,7 x 4,7 mm / X m	35727X0
	PA 1,4 x 4,0 mm / X m	35314X0
	PA 2,0 x 4,0 mm / X m	35220X0
	PA 2,3 x 4,7 mm / X m	35323X0
	PA 2,7 x 4,7 mm / X m	35327X0
102	Combi-Synthetic-Liner	
	PTFE 1,5 x 4,0 mm / X m blue	34115X0K
	PTFE 2,0 x 4,0 mm / X m red	34120X0K
	PTFE 2,7 x 4,7 mm / X m yellow	34727X0K
	Carbon-PTFE 1,5 x 4,0 mm / X m	35115X0K
	Carbon-PTFE 2,0 x 4,0 mm / X m	35120X0K
	Carbon-PTFE 2,7 x 4,7 mm / X m	35727X0K
	PA 1,4 x 4,0 mm / X m	35314X0K
	PA 2,0 x 4,0 mm / X m	35320X0K
	PA 2,3 x 4,7 mm / X m	35323X0K
	PA 2,7 x 4,7 mm / X m	35327X0K

* Parts marked with * are included in the standard configuration

	Collet (Mono & Combi)	
103	for Steel-Liner Ø 4,0 mm	2415640
103	for Steel-Liner Ø 4,5 mm	2155645
104	for Synthetic-Liner Ø 4,0 mm	2155740
104	for Synthetic-Liner Ø 4,7 mm	2415747
105	O-Ring for Synthetic and Combi Liner	0031500

i Liners available in 3 m / 4 m / 5 m length. Please insert length at X. Example: Steel-Liner 4 m = 3452041

MIGZONE ENDURANCE SERIES

MZ-E 250G

MIGZONE®
TORCHES60
%ED0,8
-
1,2
mm230
A_{CO2}220
A_{MIX}**i Flex Neck Special**

The MZ-E 250G is also available with flexible necks.

**i Neck Variations**

You can get our whole MZ-E series MIG Torches with rotating necks.

**Complete Torch**

MZ-E 250G cpl. with grey handle,
Euro-connection (Steel Liner 2,0x4,0mm)

3m	MZ-250GAA3E
4m	MZ-250GAA4E
5m	MZ-250GAA5E

MIGZONE MZ-E Series – air and watercooled MIG-Torch

DIN Norm

Technical data according to CE EN 60 974-7

The Handle

2-component handle - robust and ergonomic

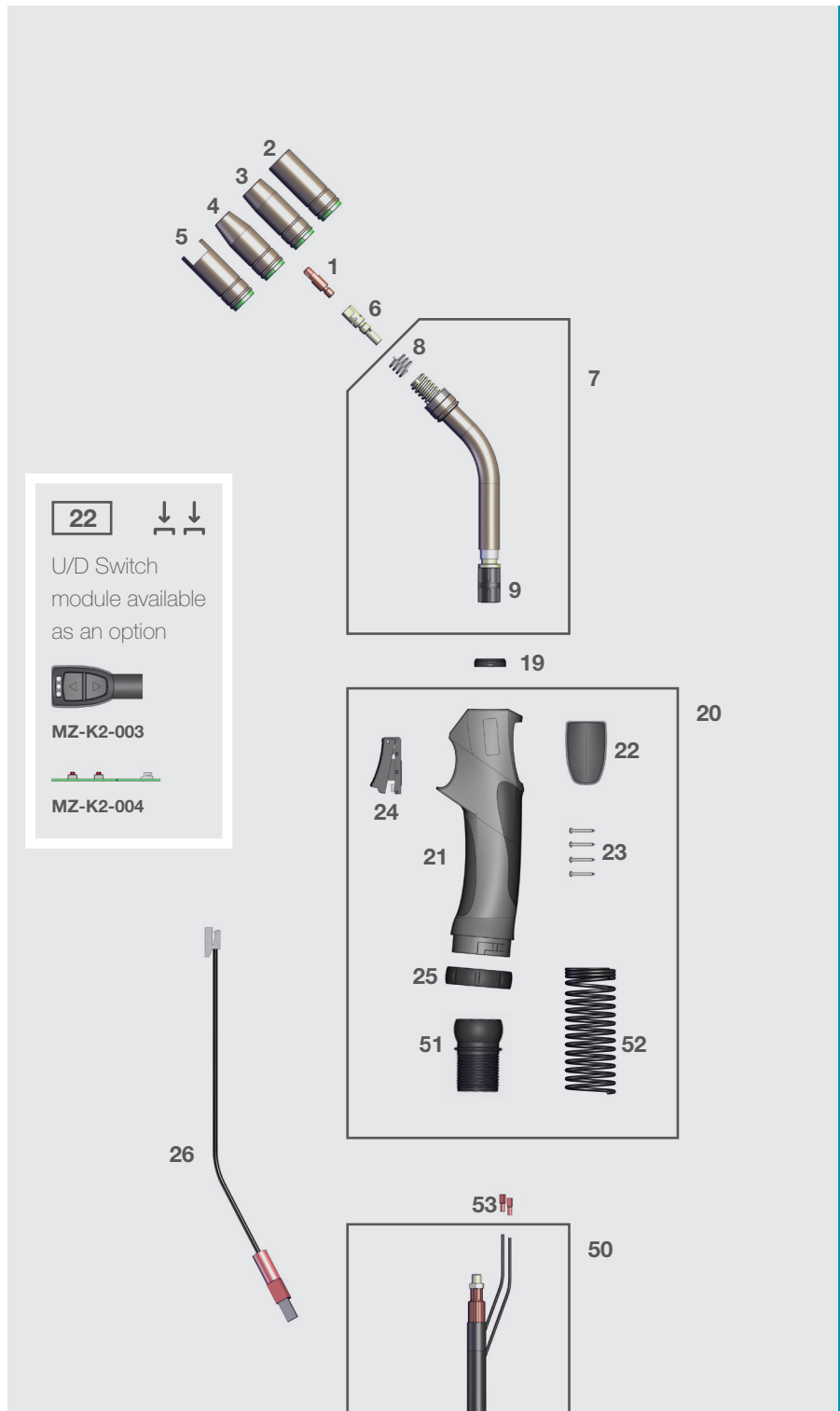
The Trigger

U/D Module (Option)

The Gun and Cable

Premium components installed

MIGZONE MZ-E 250G – aircooled MIG-Torch



* Parts marked with * are included in the standard configuration

Complete Torch

MZ-E 250G cpl. with grey handle, Euro-connection (Steel Liner 2,0x4,0mm)

3m	MZ-250GAA3E
4m	MZ-250GAA4E
5m	MZ-250GAA5E

Torch Front Group

1 Contact Tip Pro	M6x28	M8x30
ECu	22506xx	24106xx
CuCrZr	22576xx	24176xx
for Alu	22566xx	24166xx
Contact Tip Eco	M6x28	M8x30
ECu	22506xxL	24106xxL
CuCrZr	22576xxL	24176xxL

i Tips available in Ø 0.8/0.9/1.0/1.2 mm
Please insert wire diameter at **xx**.
Example Ø **1,0** mm is: 10; Art.-No.: = 2250610

Gas Nozzle L=57mm		
2 cylinder NW18		2250801
3 conical NW15*		2250802
4 tapered NW11,5		2250803
5 Spot Welding NW18		2250805
6 Tip Adapter	M6	M8
short L=35mm	2250406	2250408
long	-	-
7 Swan Neck		
MZ-E 250G, complete		250GM100
8 Spring		
Nozzle		2250500
9 Connection Body		
MZ-K2		21140011

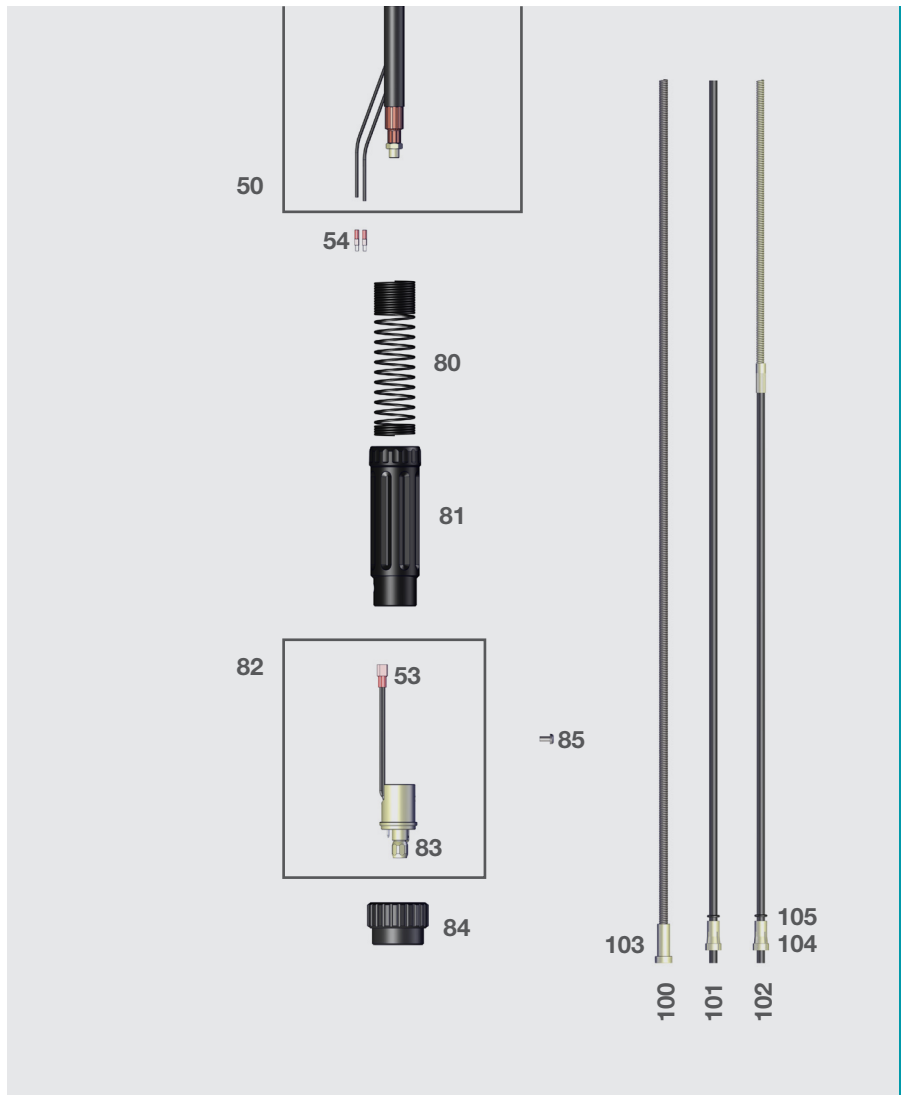
Handle Group

19 Reduction D16		
MZ-K2		21140041
20 MIG-Handle MZ-K2, grey		
complete, aircooled		MZ-HDL-K2G-G
21 MIG-Handle MZ-K2, grey		
left + right half		MZ-K2-001
22 Neutral top		
MZ-K2		MZ-K2-002
23 Screw for		
Handle		MZ-K2-005
24 Trigger cpl.		
MZ-K2		MZ-K2-006
25 Nut for		
Handle MZ-K2		MZ-K2-007
26 MZ-K2, 2pol. Female connection		
with cables		21140062K

Cable Group

50 Coaxial Cable 25mm ²		
3m		3002530
4m		3002540
5m		3002550
51 Gun Plug Housing		
Swivel		MZ-K2-008
52 Spring		
Cable Support		MZ-K2-009
53 Electrical Connector		
Female, insulated		2155100

MIGZONE MZ-E 250G – aircooled MIG-Torch



Cable Group

54	Electrical Connector Male, insulated	2155200
80	Spring Cable Support	2151201
81	Gun Plug Housing	2251601
82	Gun Plug Body with Spring Loaded Pins	2151505
	Nut	
83	Liner Positioner	2151501
84	Plug	ZA-14
85	Screw for Gun Plug Body	ZA-11

Liner Group 2

100	Mono-Steel-Liner Steel 1,5 x 4,0 mm / X blue Steel 2,0 x 4,0 mm / X red*	34415X0 34420X0
101	Mono-Synthetic-Liner PTFE 1,5 x 4,0 mm blue PTFE 2,0 x 4,0 mm red Carbon-PTFE 1,5 x 4,0 mm / X m Carbon-PTFE 2,0 x 4,0 mm / X m PA 1,4 x 4,0 mm / X m PA 2,0 x 4,0 mm / X m	34115X0 34120X0 35115X0 35120X0 35314X0 35220X0
102	Combi-Synthetic-Liner PTFE 1,5 x 4,0 mm / X m blue PTFE 2,0 x 4,0 mm / X m red Carbon-PTFE 1,5 x 4,0 mm / X m Carbon-PTFE 2,0 x 4,0 mm / X m PA 1,4 x 4,0 mm / X m PA 2,0 x 4,0 mm / X m	34115X0K 34120X0K 35115X0K 35120X0K 35314X0K 35320X0K

i Liners available in 3 m / 4 m / 5 m length.
Please insert length at **X**.
Example: Steel-Liner 4 m = 3441540

	Collet (Mono & Combi)	
103	for Steel Liner Ø 4,0 mm	2155645
104	for Synthetic Liner Ø 4,0 mm	2155740
105	O-Ring for Synthetic and Combi Liner	0031500

***** Parts marked with * are included in the standard configuration

MIGZONE ENDURANCE SERIES

MZ-E 360G

MIGZONE®
TORCHES60
%ED0,8
-
1,2
mm320
A_{CO2}290
A_{MIX}**i Neck Variations**

You can get our whole MZ-E series
MIG Torches with rotating necks.

**Complete Torch**

MZ-E 360G cpl. with grey handle,
Euro-connection (Steel Liner 2,0x4,0mm)

3m	MZ-360GAA3E
4m	MZ-360GAA4E
5m	MZ-360GAA5E

MIGZONE MZ-E Series – air and watercooled MIG-Torch

DIN Norm

Technical data according to CE EN 60 974-7

The Handle

2-component handle - robust and ergonomic

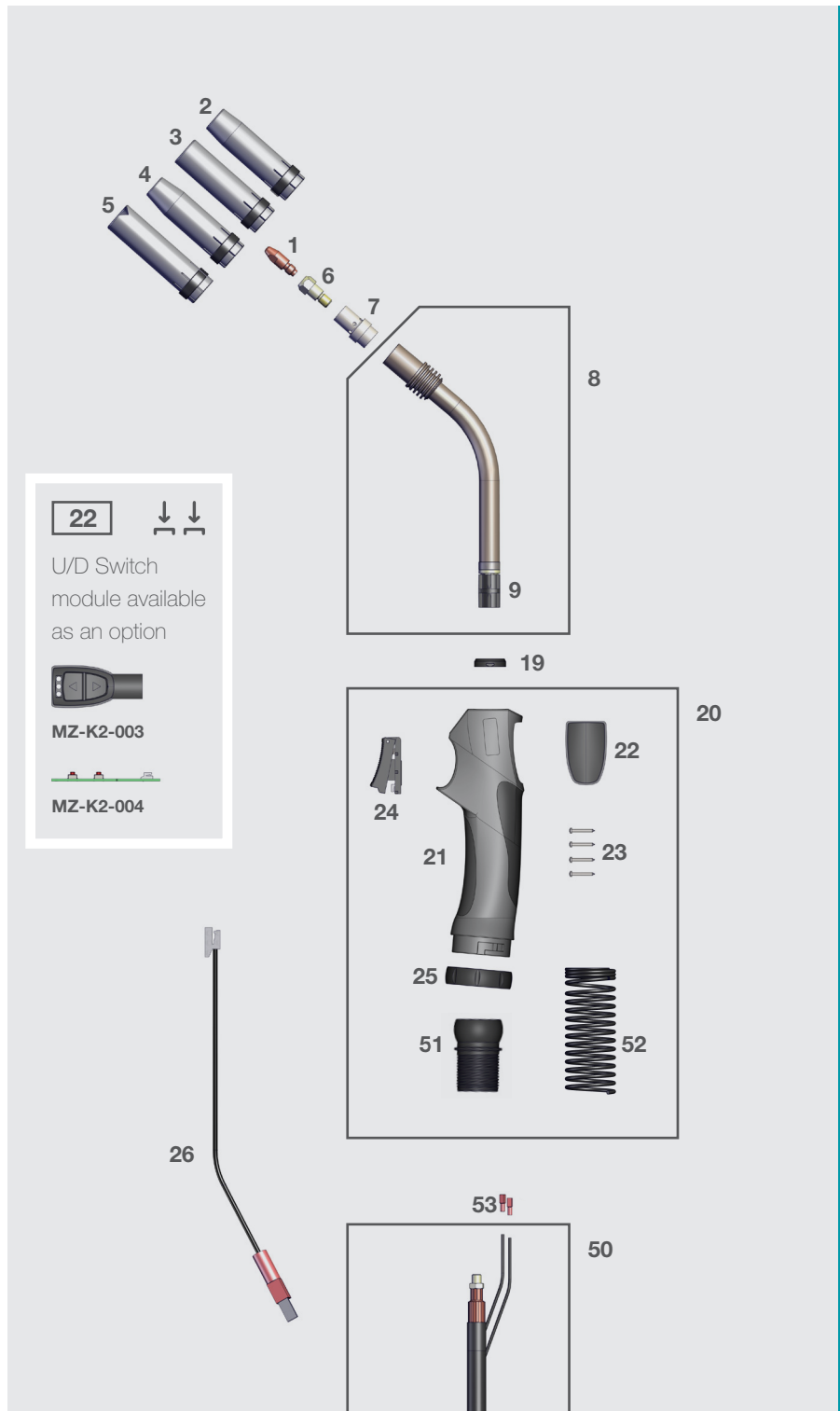
The Trigger

U/D Module (Option)

The Gun and Cable

Premium components installed

MIGZONE MZ-E 360G – aircooled MIG-Torch



22 ↓ ↓
 U/D Switch module available as an option



MZ-K2-003



MZ-K2-004

* Parts marked with * are included in the standard configuration

Complete Torch

MZ-E 360G cpl. with grey handle, Euro-connection (Steel Liner 2,0x4,0mm)

3m	MZ-360GAA3E
4m	MZ-360GAA4E
5m	MZ-360GAA5E

Torch Front Group

1 Contact Tip Pro	M6x28	M8x30
ECu	22506xx	24106xx
CuCrZr	22576xx	24176xx
for Alu	22566xx	24166xx
Contact Tip Eco	M6x28	M8x30
ECu	22506xxL	24106xxL
CuCrZr	22576xxL	24176xxL

i Tips available in Ø 0.8/0.9/1.0/1.2 mm
 Please insert wire diameter at **xx**.
 Example Ø **1,0** mm is: 10; Art.-No.: = 22506**10**

Gas Nozzle L=84mm		
2 cylinder NW19		2360801
3 conical NW16*		2360802
4 tapered NW12		2360803
5 Spot Welding NW17		2360805
6 Tip Adapter	M6	M8
short L=28mm	2360406	2360408
long L=33mm	2360416	2360418
7 Gas Diffuser		
white*		2360702
black		2360700
eco		2360702L
8 Swan Neck		
MZ-E 360G, complete		360GM100
9 Connection Body		
MZ-K2		21140011

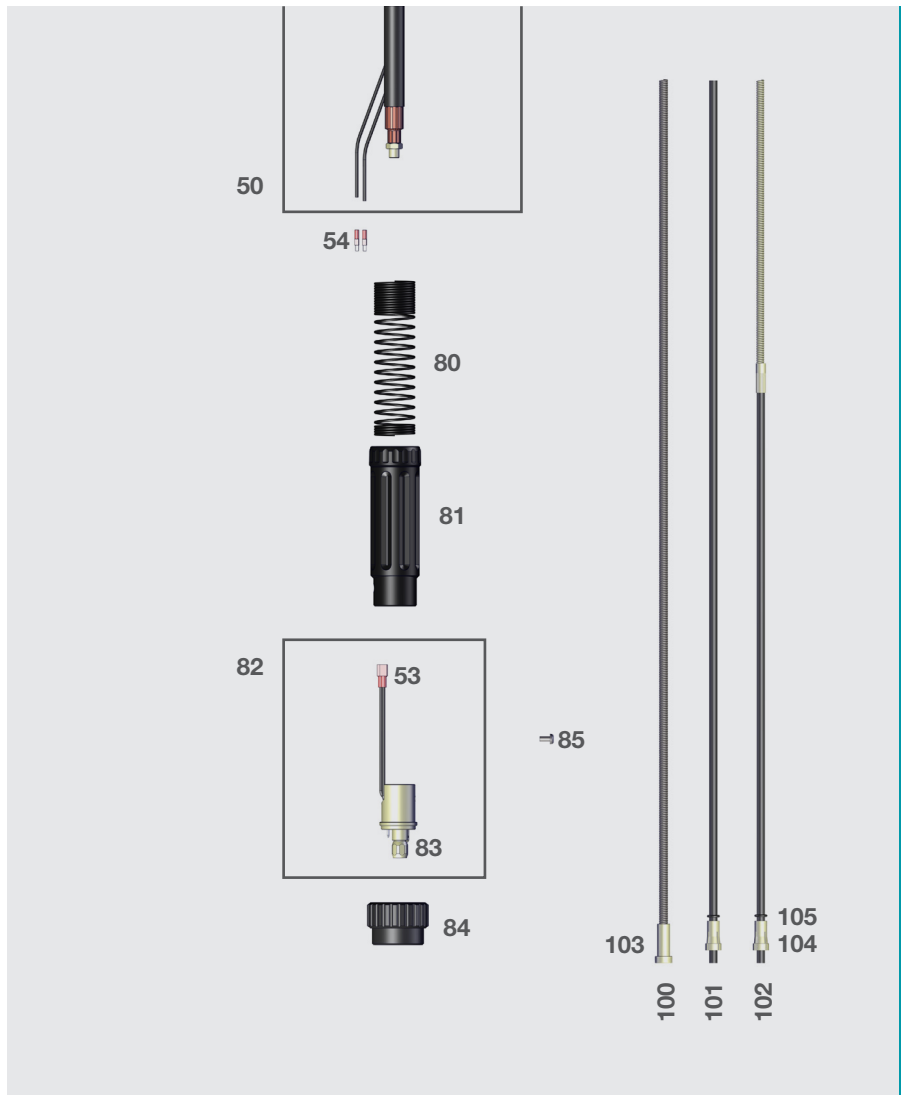
Handle Group

19 Reduction D16		
MZ-K2		21140041
20 MIG-Handle MZ-K2, grey		
complete, aircooled		MZ-HDL-K2G-G
21 MIG-Handle MZ-K2, grey		
left + right half		MZ-K2-001
22 Neutral top		
MZ-K2		MZ-K2-002
23 Screw for		
Handle		MZ-K2-005
24 Trigger cpl.		
MZ-K2		MZ-K2-006
25 Nut for		
Handle MZ-K2		MZ-K2-007
26 MZ-K2, 2pol. Female connection		
with cables		21140062K

Cable Group

50 Coaxial Cable 50mm ²		
3m		3005030
4m		3005040
5m		3005050
51 Gun Plug Housing		
Swivel		MZ-K2-008
52 Spring		
Cable Support		MZ-K2-009
53 Electrical Connector		
Female, insulated		2155100

MIGZONE MZ-E 360G – aircooled MIG-Torch



Cable Group

54	Electrical Connector Male, insulated	2155200
80	Spring Cable Support	2151201
81	Gun Plug Housing	2251601
82	Gun Plug Body with Spring Loaded Pins	2151505
	Nut	
83	Liner Positioner	2151501
84	Plug	ZA-14
85	Screw for Gun Plug Body	ZA-11

Liner Group 2

100	Mono-Steel-Liner Steel 1,5 x 4,0 mm / X blue Steel 2,0 x 4,0 mm / X red*	34415X0 34420X0
101	Mono-Synthetic-Liner PTFE 1,5 x 4,0 mm blue PTFE 2,0 x 4,0 mm red Carbon-PTFE 1,5 x 4,0 mm / X m Carbon-PTFE 2,0 x 4,0 mm / X m PA 1,4 x 4,0 mm / X m PA 2,0 x 4,0 mm / X m	34115X0 34120X0 35115X0 35120X0 35314X0 35220X0
102	Combi-Synthetic-Liner PTFE 1,5 x 4,0 mm / X m blue PTFE 2,0 x 4,0 mm / X m red Carbon-PTFE 1,5 x 4,0 mm / X m Carbon-PTFE 2,0 x 4,0 mm / X m PA 1,4 x 4,0 mm / X m PA 2,0 x 4,0 mm / X m	34115X0K 34120X0K 35115X0K 35120X0K 35314X0K 35320X0K

i Liners available in 3 m / 4 m / 5 m length.
Please insert length at **X**.
Example: Steel-Liner 4 m = 3441540

	Collet (Mono & Combi)	
103	for Steel Liner Ø 4,0 mm	2155645
104	for Synthetic Liner Ø 4,0 mm	2155740
105	O-Ring for Synthetic and Combi Liner	0031500

***** Parts marked with * are included in the standard configuration

MIGZONE ENDURANCE SERIES

MZ-E 380G

MIGZONE®
TORCHES60
%ED0,8
-
1,6
mm350
A_{CO2}320
A_{MIX}**i Neck Variations**

You can get our whole MZ-E series
MIG Torches with rotating necks.

**Complete Torch**

MZ-E 380G cpl. with grey handle,
Euro-connection (Steel Liner 2,0x4,0mm)

3m	MZ-380GAA3E
4m	MZ-380GAA4E
5m	MZ-380GAA5E

MIGZONE MZ-E Series – air and watercooled MIG-Torch

DIN Norm

Technical data according to CE EN 60 974-7

The Handle

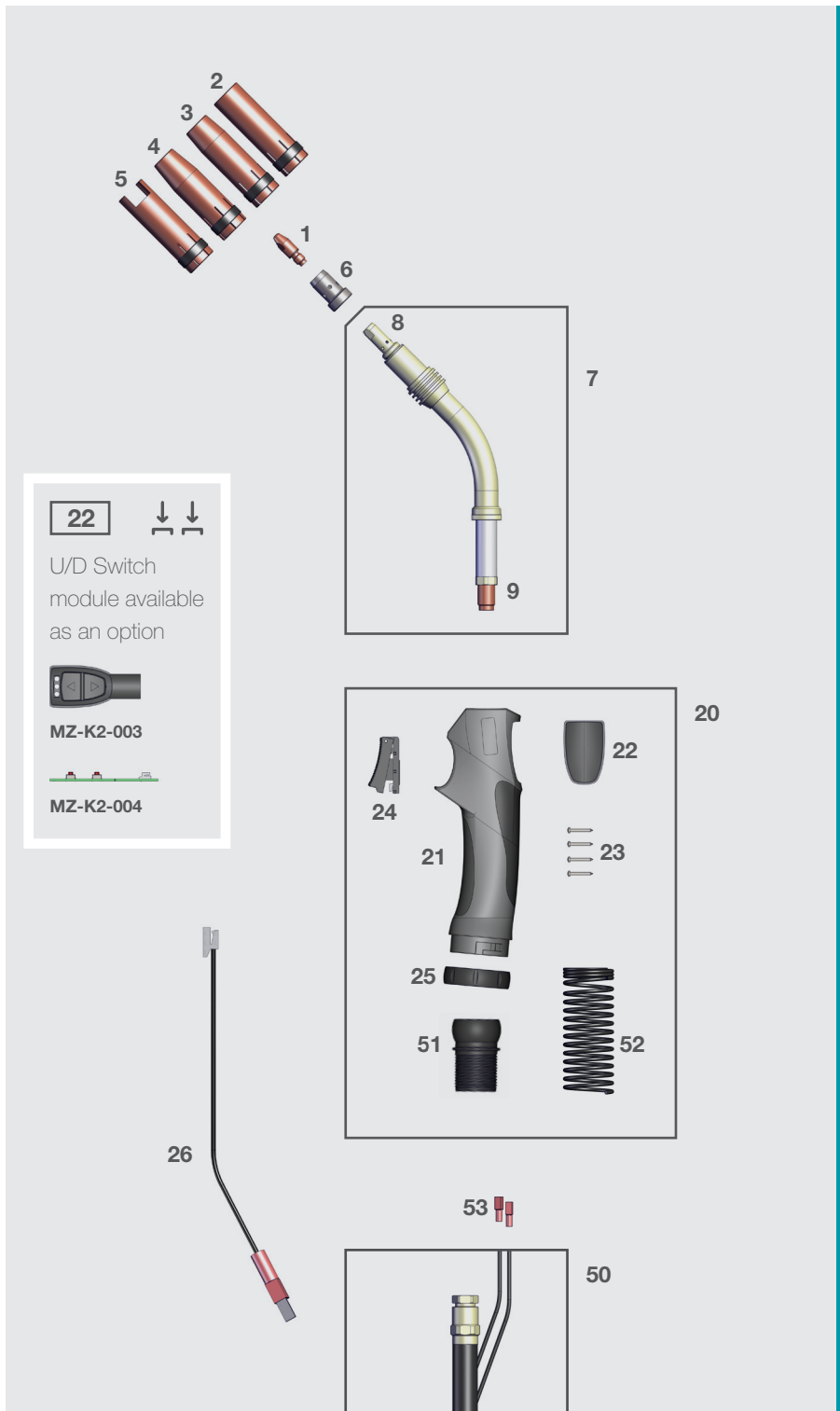
2-component handle - robust and ergonomic

The Trigger

U/D Module (Option)

The Gun and Cable

Premium components installed



Complete Torch

MZ-E 360G cpl. with grey handle, Euro-connection (Steel Liner 2,0x4,0mm)

3m	MZ-380GAA3E
4m	MZ-380GAA4E
5m	MZ-380GAA5E

Torch Front Group

1 Contact Tip Pro	M6x28	M8x30
ECu	-	24106xx
CuCrZr	-	24176xx
for Alu	-	24166xx
Contact Tip Eco	M6x28	M8x30
ECu	-	24106xxL
CuCrZr	-	24176xxL

i Tips available in Ø 0,8/0,9/1,0/1,2/1,4/1,6 mm
Please insert wire diameter at **xx**.
Example Ø **1,0** mm is: 10; Art.-No.: = 2410610

Gas Nozzle L=76mm	
2 cylinder NW19	2410801
3 conical NW16*	2410802
4 tapered NW14	2410803
5 Spot Welding NW20	2410805
6 Gas Diffuser	
white*	2410702
black	2410700
eco	2410702L
7 Swan Neck	
MZ-E 380G, complete	380GM100
8 Tip Adapter	M6 M8
short	- 2380408
long	- -
9 Nut	
Swan Neck	2380M150

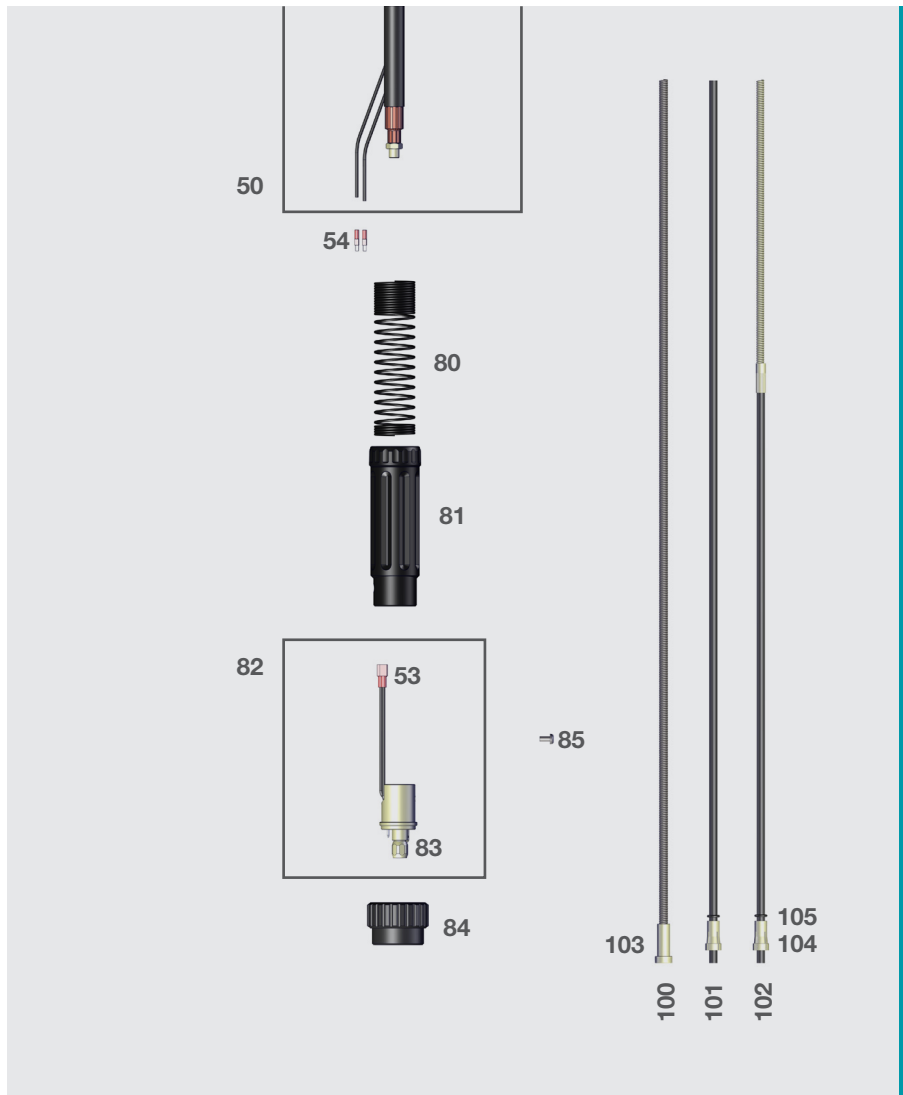
Handle Group

20 MIG-Handle MZ-K2, grey complete, aircooled	MZ-HDL-K2G-G
21 MIG-Handle MZ-K2, grey left + right half	MZ-K2-001
22 Neutral top MZ-K2	MZ-K2-002
23 Screw for Handle	MZ-K2-005
24 Trigger cpl. MZ-K2	MZ-K2-006
25 Nut for Handle MZ-K2	MZ-K2-007
26 MZ-K2, 2pol. Female connection with cables	21140062K

Cable Group

50 Coaxial Cable 50mm ²	
3m	3005030M
4m	3005040M
5m	3005050M
51 Gun Plug Housing Swivel	MZ-K2-008
52 Spring Cable Support	MZ-K2-009
53 Electrical Connector Female, insulated	2155100

***** Parts marked with * are included in the standard configuration



Cable Group

54	Electrical Connector Male, insulated	2155200
80	Spring Cable Support	2151201
81	Gun Plug Housing	2251601
82	Gun Plug Body with Spring Loaded Pins	2151505
	Nut	
83	Liner Positioner	2151501
84	Plug	ZA-14
85	Screw for Gun Plug Body	ZA-11

Liner Group 3

100	Mono-Steel-Liner 2,0 x 4,0 mm / X m red*	34420X0
	2,5 x 4,0 mm / X m yellow	34425X0
101	Mono-Synthetic-Liner PTFE 2,0 x 4,0 mm / X m red	34120X0
	PTFE 2,7 x 4,7 mm / X m yellow	34727X0
	Carbon-PTFE 2,0 x 4,0 mm / X m	35120X0
	Carbon-PTFE 2,7 x 4,7 mm / X m	35727X0
	PA 2,0 x 4,0 mm / X m	35220X0
	PA 2,3 x 4,7 mm / X m	35323X0
	PA 2,7 x 4,7 mm / X m	35327X0
102	Combi-Synthetic-Liner PTFE 2,0 x 4,0 mm / X m red	34120X0K
	PTFE 2,7 x 4,7 mm / X m yellow	34727X0K
	Carbon-PTFE 2,0 x 4,0 mm / X m	35120X0K
	Carbon-PTFE 2,7 x 4,7 mm / X m	35727X0K
	PA 2,0 x 4,0 mm / X m	35320X0K
	PA 2,3 x 4,7 mm / X m	35323X0K

i Liners available in 3 m / 4 m / 5 m length.
Please insert length at **X**.
Example: Steel-Liner **4** m = 34520**4**1

	Collet (Mono & Combi)	
103	for Steel-Liner Ø 4,0 mm	2155645
104	for Synthetic-Liner Ø 4,0 mm	2155740
104	for Synthetic-Liner Ø 4,7 mm	2415747
105	O-Ring for Synthetic and Combi Liner	0031500

***** Parts marked with * are included in the standard configuration

MIGZONE ENDURANCE SERIES

MZ-E 400W

MIGZONE®
TORCHES100
%ED0,8
-
1,6
mm400
A_{CO2}350
A_{MIX}**i Neck Variations**

You can get our whole MZ-E series
MIG Torches with rotating necks.

**Complete Torch**

MZ-E 400W cpl. with grey handle,
Euro-connection (Steel Liner 2,0x4,5mm)

3m	MZ-400WAA3E
4m	MZ-400WAA4E
5m	MZ-400WAA5E

MIGZONE MZ-E Series – air and watercooled MIG-Torch

DIN Norm

Technical data according to CE EN 60 974-7

The Handle

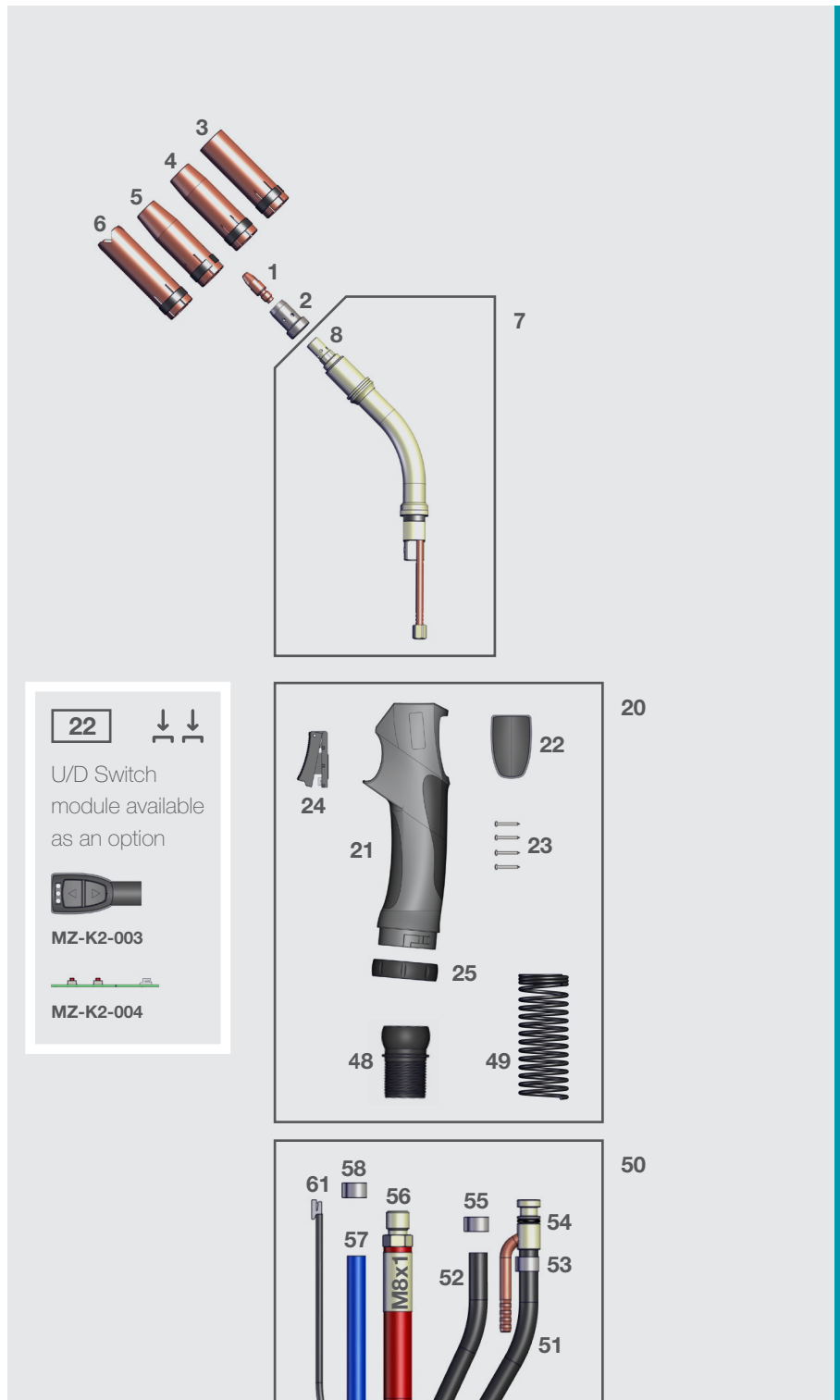
2-component handle - robust and ergonomic

The Trigger

U/D Module (Option)

The Gun and Cable

Premium components installed



Complete Torch

MZ-E 400W cpl. with grey handle,
Euro-connection (Steel Liner 2,0x4,0mm)

3m	MZ-400WAA3E
4m	MZ-400WAA4E
5m	MZ-400WAA5E

Torch Front Group

1 Contact Tip Pro	M6x28	M8x30
ECu	22506xx	24106xx
CuCrZr	22576xx	24176xx
for Alu	22566xx	24166xx
Contact Tip Eco	M6x28	M8x30
ECu	22506xxL	24106xxL
CuCrZr	22576xxL	24176xxL

i Tips available in Ø 0,8/0,9/1,0/1,2/1,4/1,6 mm
Please insert wire diameter at **xx**.
Example Ø **1,0** mm is: 10; Art.-No.: = 2410610

2 Gas Diffuser		
white*		2410702
black		2410700
eco		2410702L
Gas Nozzle L=76mm		
3 cylinder NW19		2410801
4 conical NW16*		2410802
5 tapered NW14		2410803
6 Spot Welding NW20		2410805
7 Swan Neck		
MZ-E 400W, complete		400WM100
8 Tip Adapter	M6	M8
short L=25mm	2410406	2410408
long L=29mm	2410416	2410418

Handle Group

20 MIG-Handle MZ-K2, grey complete, watercooled		MZ-HDL-K2G-W
21 MIG-Handle MZ-K2, grey left + right half		MZ-K2-001
22 Neutral top MZ-K2		MZ-K2-002
23 Screw for Handle		MZ-K2-005
24 Trigger cpl. MZ-K2		MZ-K2-006
25 Nut for Handle MZ-K2		MZ-K2-007

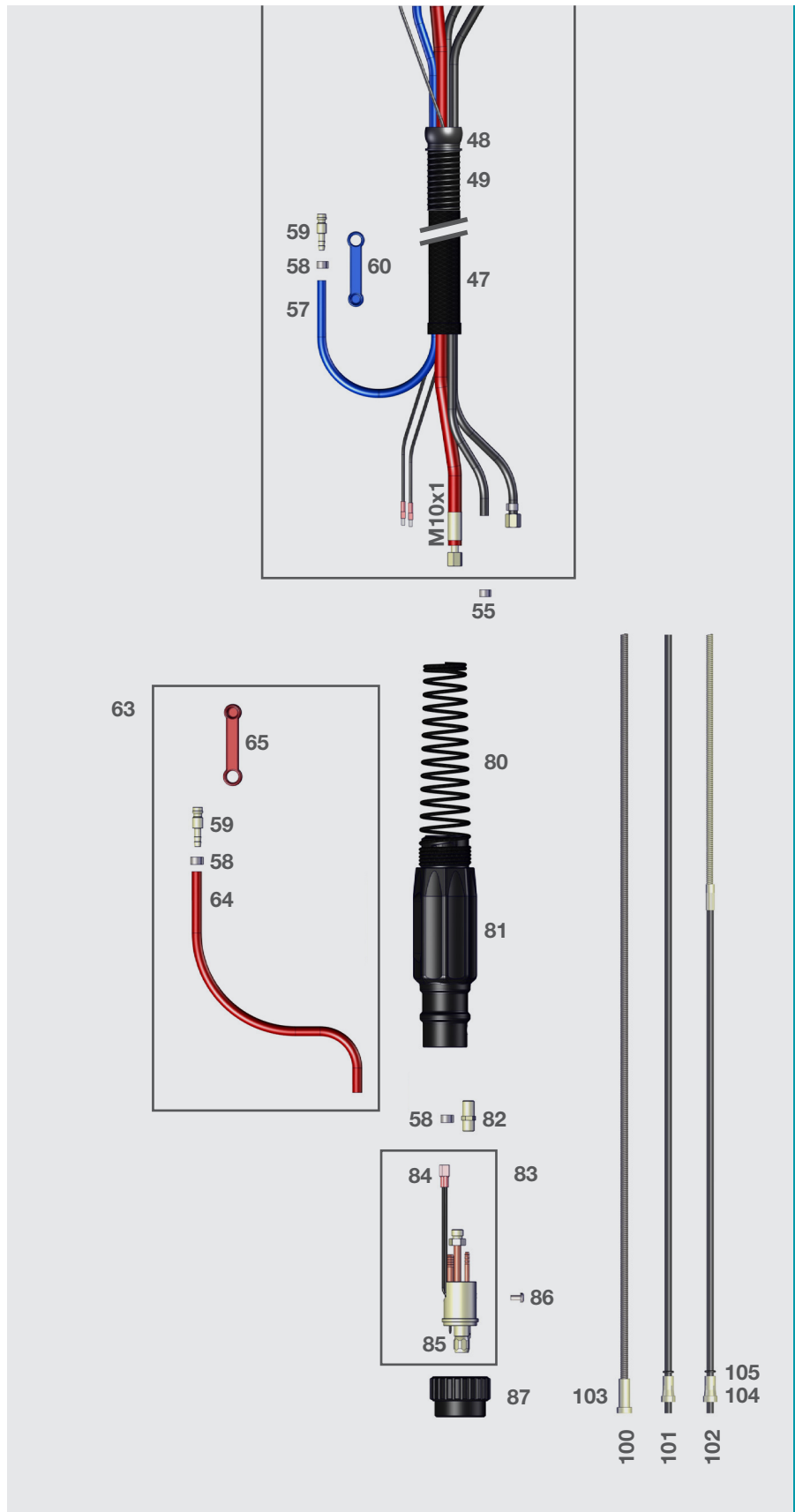
Cable Group

48 Gun Plug Housing Swivel		MZ-K2-008
49 Spring Cable Support		MZ-K2-010
Single Ear Clamp		
53 D = 11,8		11.8GER
55 D = 8,7		08.7GER
58 D = 10,0		10.0GER
52 Gas Hose Ø 4,0x1,5 (PU=100m)		0550111
54 Connector Wire-Gas		21201027
57 Water Hose blue Ø 5,0x1,5, (PU=200m)		CR05/8 BL

Cable Group

Part	3m	4m	5m
50 Cable Assembly MZ-E cpl.	24139M30	24139M40	24139M50
51 Outer Liner MZ-E cpl.	25146M30	25146M40	25146M50
56 Power Cable cpl.	2414130	2414140	2414150
61 Control Cable MZ-E cpl.	24144M30	24144M40	24144M50

***** Parts marked with * are included in the standard configuration



Cable Group

47	Cover Hose MZ-E (PU=40m)	WS-2
48	Gun Plug Housing Swivel	MZ-K2-008
49	Spring Cable Support	MZ-K2-010
	Single Ear Clamp	
53	D = 11,8	11.8GER
55	D = 8,7	08.7GER
58	D = 10,0	10.0GER
59	Water Hose Nipple	T0535
	Water Stop	
60	blue	TZ-KAPPE-1
65	red	TZ-KAPPE-2
63	Water Outlet Hose cpl. 0,55m	2414705
64	Water Hose red Ø 5,0x1,5 (PU=200m)	CR05/8 RO
80	Cable Support Spring	2411611
81	Plug Housing without nut	2411600S1
82	Nipple Threaded	2411501
83	Gun Plug Body with Spring Loaded Pins	2411505
84	Female Electrical Connector insulated	2155100
	Nut	
85	Liner Positioner	2151501
87	Plug	ZA-14
86	Screw for Gun Plug Body	ZA-11

Liner Group 5

100	Mono-Steel-Liner	
	2,0 x 4,5 mm / X m*	34520X1
	2,5 x 4,5 mm / X m	34525X1
101	Mono-Synthetic-Liner	
	PTFE 2,0 x 4,0 mm / X m red	34120X0
	PTFE 2,7 x 4,7 mm / X m yellow	34727X0
	Carbon-PTFE 2,0 x 4,0 mm / X m	35120X0
	Carbon-PTFE 2,7 x 4,7 mm / X m	35727X0
	PA 2,0 x 4,0 mm / X m	35220X0
	PA 2,3 x 4,7 mm / X m	35323X0
	PA 2,7 x 4,7 mm / X m	35327X0
102	Combi-Synthetic-Liner	
	PTFE 2,0 x 4,0 mm / X m red	34120X0K
	PTFE 2,7 x 4,7 mm / X m yellow	34727X0K
	Carbon-PTFE 2,0 x 4,0 mm / X m	35120X0K
	Carbon-PTFE 2,7 x 4,7 mm / X m	35727X0K
	PA 2,0 x 4,0 mm / X m	35320X0K
	PA 2,3 x 4,7 mm / X m	35323X0K
	PA 2,7 x 4,7 mm / X m	35327X0K

i Liners available in 3 m / 4 m / 5 m length. Please insert length at X. Example: Steel-Liner 4 m = 3452041

***** Parts marked with * are included in the standard configuration

	Collet (Mono & Combi)	
103	for Steel-Liner Ø 4,5 mm	2155645
104	for Synthetic-Liner Ø 4,0 mm	2155740
104	for Synthetic-Liner Ø 4,7 mm	2415747
105	O-Ring for Synthetic and Combi Liner	0031500

MIGZONE ENDURANCE SERIES

MZ-E 500W

MIGZONE®
TORCHES100
%ED0,8
-
1,6
mm500
A_{CO2}450
A_{MIX}**i Neck Variations**

You can get our whole MZ-E series
MIG Torches with rotating necks.

**Complete Torch**

MZ-E 500W cpl. with grey handle,
Euro-connection (Steel Liner 2,0x4,5mm)

3m	MZ-500WAA3E
4m	MZ-500WAA4E
5m	MZ-500WAA5E

MIGZONE MZ-E Series – air and watercooled MIG-Torch

DIN Norm

Technical data according to CE EN 60 974-7

The Handle

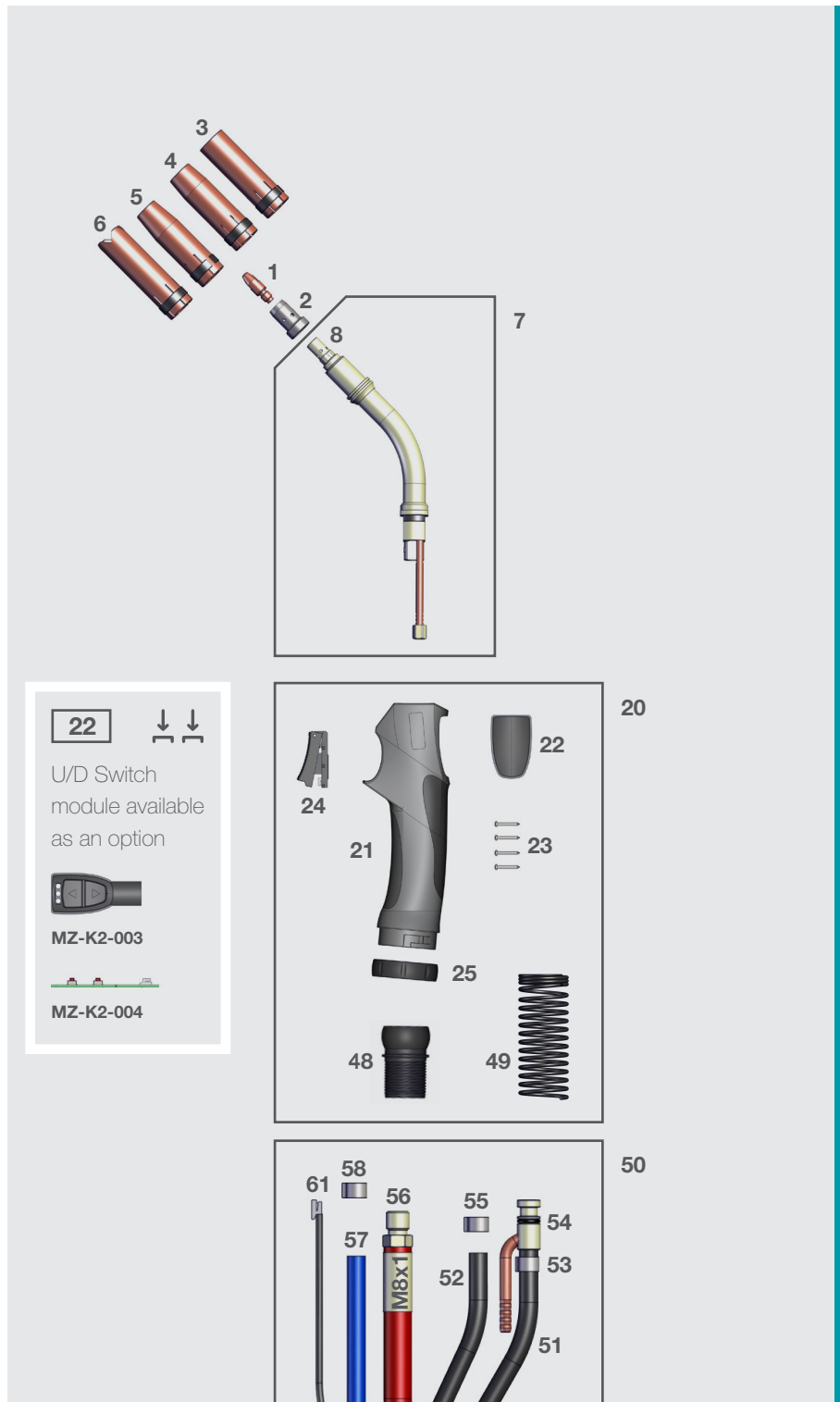
2-component handle - robust and ergonomic

The Trigger

U/D Module (Option)

The Gun and Cable

Premium components installed



Complete Torch

MZ-E 500W cpl. with grey handle, Euro-connection (Steel Liner 2,0x4,0mm)

3m	MZ-500WAA3E
4m	MZ-500WAA4E
5m	MZ-500WAA5E

Torch Front Group

1 Contact Tip Pro	M6x28	M8x30
ECu	22506xx	24106xx
CuCrZr for Alu	22576xx	24176xx
	22566xx	24166xx
Contact Tip Eco	M6x28	M8x30
ECu	22506xxL	24106xxL
CuCrZr	22576xxL	24176xxL

i Tips available in Ø 0,8/0,9/1,0/1,2/1,4/1,6 mm
Please insert wire diameter at **xx**.
Example Ø **1,0** mm is: 10; Art.-No.: = 2410610

2 Gas Diffuser		
white*		2410702
black		2410700
eco		2410702L
Gas Nozzle L=76mm		
3 cylinder NW19		2410801
4 conical NW16*		2410802
5 tapered NW14		2410803
6 Spot Welding NW20		2410805
7 Swan Neck		
MZ-E 500W, complete		500WM100
8 Tip Adapter	M6	M8
short L=25mm	2410406	2410408
long L=29mm	2410416	2410418

Handle Group

20 MIG-Handle MZ-K2, grey complete, watercooled		MZ-HDL-K2G-W
21 MIG-Handle MZ-K2, grey left + right half		MZ-K2-001
22 Neutral top MZ-K2		MZ-K2-002
23 Screw for Handle		MZ-K2-005
24 Trigger cpl. MZ-K2		MZ-K2-006
25 Nut for Handle MZ-K2		MZ-K2-007

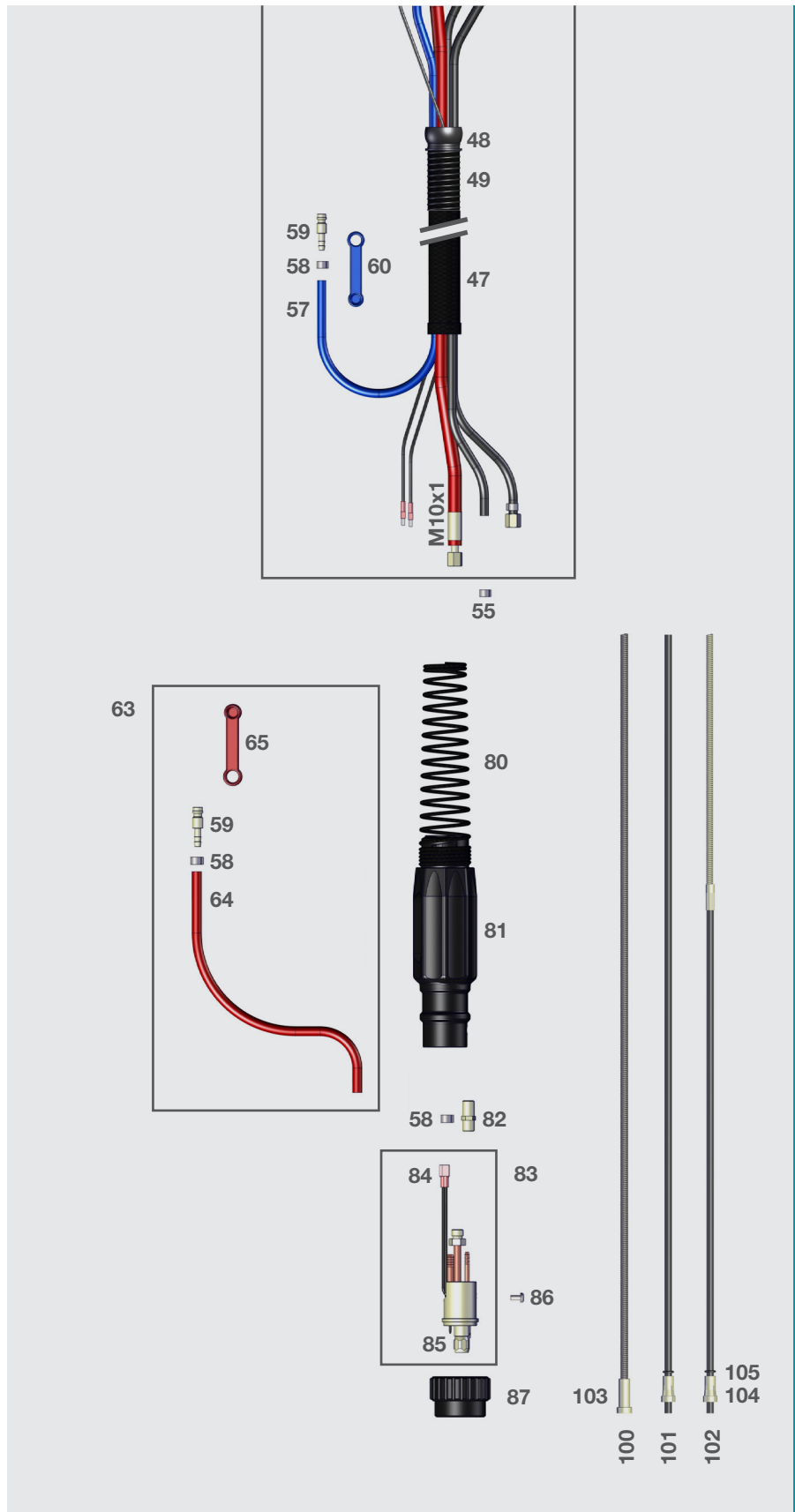
Cable Group

48 Gun Plug Housing Swivel		MZ-K2-008
49 Spring Cable Support		MZ-K2-010
Single Ear Clamp		
53 D = 11,8		11.8GER
55 D = 8,7		08.7GER
58 D = 10,0		10.0GER
52 Gas Hose Ø 4,0x1,5 (PU=100mm)		0550111
54 Connector Wire-Gas		21201027
57 Water Hose blue Ø 5,0x1,5, (PU=200mm)		CR05/8 BL

Cable Group

Part	3m	4m	5m
50 Cable Assembly MZ-E cpl.	24139M30	24139M40	24139M50
51 Outer Liner MZ-E cpl.	25146M30	25146M40	25146M50
56 Power Cable cpl.	2414130	2414140	2414150
61 Control Cable MZ-E cpl.	24144M30	24144M40	24144M50

***** Parts marked with * are included in the standard configuration



Cable Group

47	Cover Hose MZ-E (PU=40m)	WS-2
48	Gun Plug Housing Swivel	MZ-K2-008
49	Spring Cable Support	MZ-K2-010
	Single Ear Clamp	
53	D = 11,8	11.8GER
55	D = 8,7	08.7GER
58	D = 10,0	10.0GER
59	Water Hose Nipple	T0535
	Water Stop	
60	blue	TZ-KAPPE-1
65	red	TZ-KAPPE-2
63	Water Outlet Hose cpl. 0,55m	2414705
64	Water Hose red Ø 5,0x1,5 (PU=200m)	CR05/8 RO
80	Cable Support Spring	2411611
81	Plug Housing without nut	2411600S1
82	Nipple Threaded	2411501
83	Gun Plug Body with Spring Loaded Pins	2411505
84	Female Electrical Connector insulated	2155100
	Nut	
85	Liner Positioner	2151501
87	Plug	ZA-14
86	Screw for Gun Plug Body	ZA-11

Liner Group 5

100	Mono-Steel-Liner	
	2,0 x 4,5 mm / X m*	34520X1
	2,5 x 4,5 mm / X m	34525X1
101	Mono-Synthetic-Liner	
	PTFE 2,0 x 4,0 mm / X m red	34120X0
	PTFE 2,7 x 4,7 mm / X m yellow	34727X0
	Carbon-PTFE 2,0 x 4,0 mm / X m	35120X0
	Carbon-PTFE 2,7 x 4,7 mm / X m	35727X0
	PA 2,0 x 4,0 mm / X m	35220X0
	PA 2,3 x 4,7 mm / X m	35323X0
	PA 2,7 x 4,7 mm / X m	35327X0
102	Combi-Synthetic-Liner	
	PTFE 2,0 x 4,0 mm / X m red	34120X0K
	PTFE 2,7 x 4,7 mm / X m yellow	34727X0K
	Carbon-PTFE 2,0 x 4,0 mm / X m	35120X0K
	Carbon-PTFE 2,7 x 4,7 mm / X m	35727X0K
	PA 2,0 x 4,0 mm / X m	35320X0K
	PA 2,3 x 4,7 mm / X m	35323X0K
	PA 2,7 x 4,7 mm / X m	35327X0K

i Liners available in 3 m / 4 m / 5 m length. Please insert length at X. Example: Steel-Liner 4 m = 3452041

***** Parts marked with * are included in the standard configuration

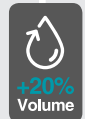
	Collet (Mono & Combi)	
103	for Steel-Liner Ø 4,5 mm	2155645
104	for Synthetic-Liner Ø 4,0 mm	2155740
104	for Synthetic-Liner Ø 4,7 mm	2415747
105	O-Ring for Synthetic and Combi Liner	0031500

MIGZONE ENDURANCE SERIES

MZ-E 505W

MIGZONE®
TORCHES100
%ED0,8
-
1,6
mm500
A_{CO2}
450
A_{MIX}**i** 20% more water volume

20% more water volume in the torch neck than the standard MZ-E 400W/500W.

**i** Neck Variations

You can get our whole MZ-E series MIG Torches with rotating necks.

**Complete Torch**

MZ-E 505W cpl. with grey handle,
Euro-connection (Steel Liner 2,0x4,5mm)

3m	MZ-505WAA3E
4m	MZ-505WAA4E
5m	MZ-505WAA5E

MIGZONE MZ-E Series – air and watercooled MIG-Torch

DIN Norm

Technical data according to CE EN 60 974-7

The Handle

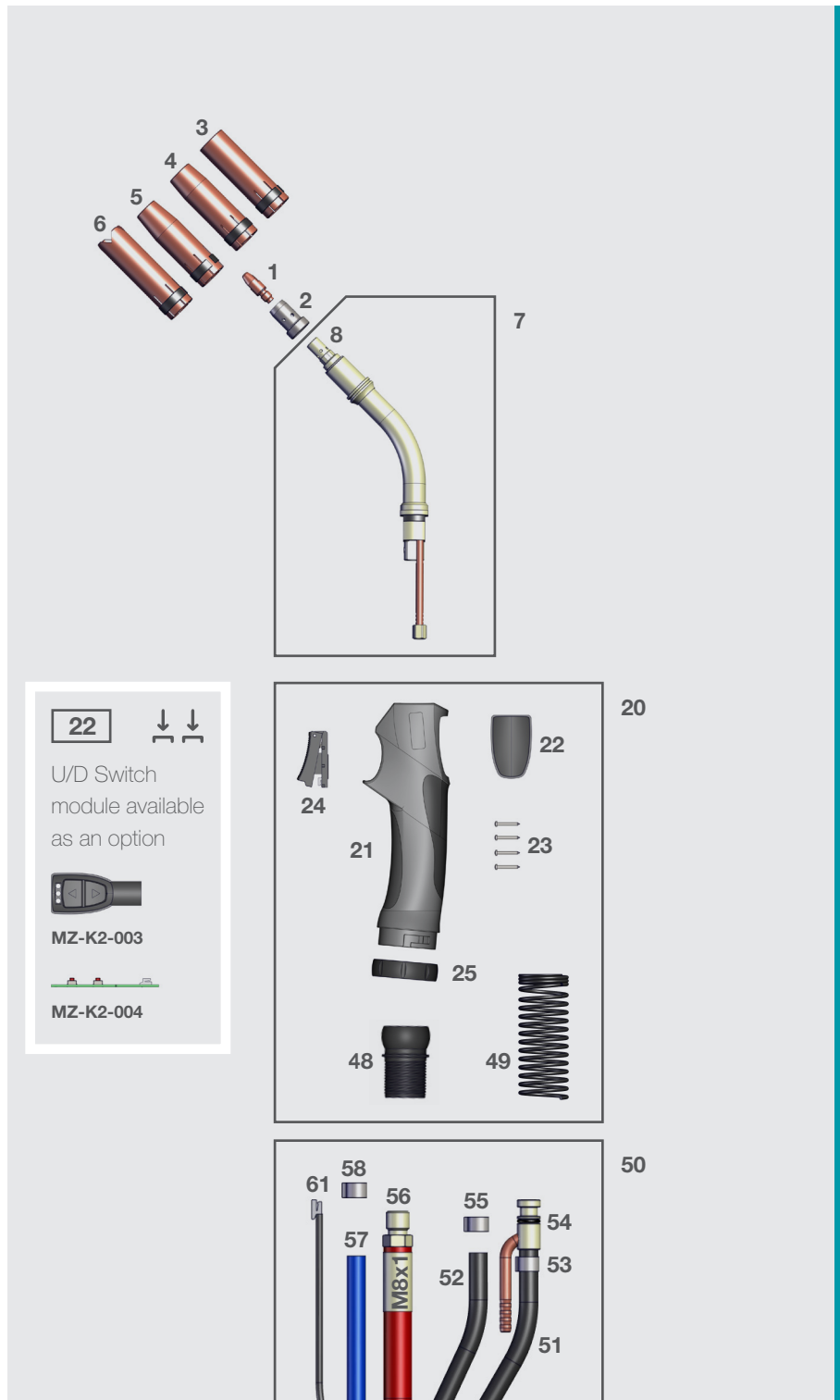
2-component handle - robust and ergonomic

The Trigger

U/D Module (Option)

The Gun and Cable

Premium components installed



Complete Torch

MZ-E 505W cpl. with grey handle, Euro-connection (Steel Liner 2,0x4,0mm)

3m	MZ-505WAA3E
4m	MZ-505WAA4E
5m	MZ-505WAA5E

Torch Front Group

1 Contact Tip Pro	M6x28	M8x30
ECu	22506xx	24106xx
CuCrZr	22576xx	24176xx
for Alu	22566xx	24166xx
Contact Tip Eco	M6x28	M8x30
ECu	22506xxL	24106xxL
CuCrZr	22576xxL	24176xxL

i Tips available in Ø 0,8/0,9/1,0/1,2/1,4/1,6 mm
Please insert wire diameter at **xx**.
Example Ø **1,0** mm is: 10; Art.-No.: = 2410610

2 Gas Diffuser		
white*		2410702
black		2410700
eco		2410702L
Gas Nozzle L=76mm		
3 cylinder NW19		2410801
4 conical NW16*		2410802
5 tapered NW14		2410803
6 Spot Welding NW20		2410805
7 Swan Neck		
MZ-E 505W, complete		505WM100
8 Tip Adapter	M6	M8
short L=25mm	2410406	2410408
long L=29mm	2410416	2410418

Handle Group

20 MIG-Handle MZ-K2, grey complete, watercooled		MZ-HDL-K2G-W
21 MIG-Handle MZ-K2, grey left + right half		MZ-K2-001
22 Neutral top MZ-K2		MZ-K2-002
23 Screw for Handle		MZ-K2-005
24 Trigger cpl. MZ-K2		MZ-K2-006
25 Nut for Handle MZ-K2		MZ-K2-007

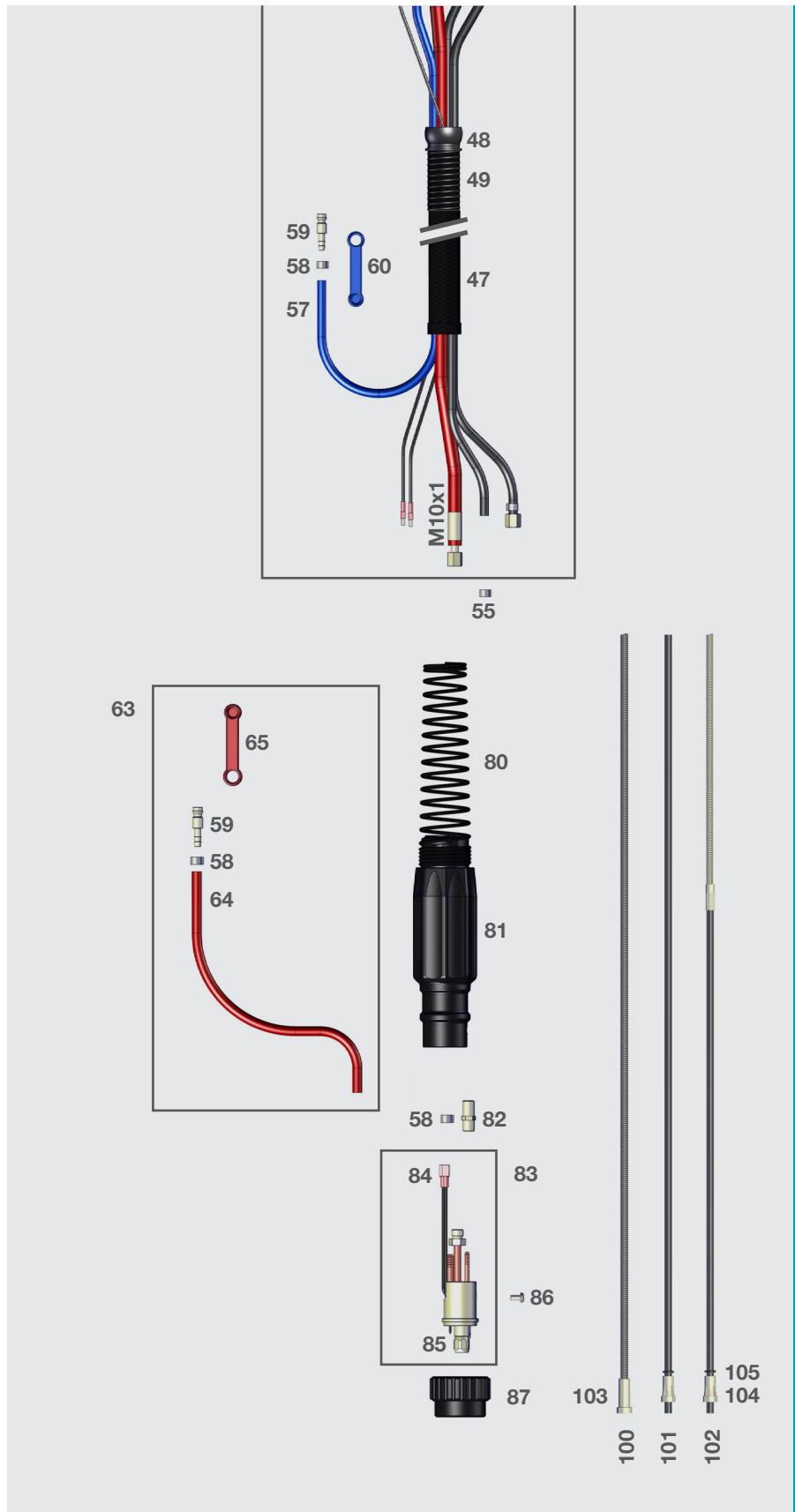
Cable Group

48 Gun Plug Housing Swivel		MZ-K2-008
49 Spring Cable Support		MZ-K2-010
Single Ear Clamp		
53 D = 11,8		11.8GER
55 D = 8,7		08.7GER
58 D = 10,0		10.0GER
52 Gas Hose Ø 4,0x1,5 (PU=100m)		0550111
54 Connector Wire-Gas		21201027
57 Water Hose blue Ø 5,0x1,5, (PU=200m)		CR05/8 BL

Cable Group

Part	3m	4m	5m
50 Cable Assembly MZ-E cpl.	24139M30	24139M40	24139M50
51 Outer Liner MZ-E cpl.	25146M30	25146M40	25146M50
56 Power Cable cpl.	2414130	2414140	2414150
61 Control Cable MZ-E cpl.	24144M30	24144M40	24144M50

***** Parts marked with * are included in the standard configuration



Cable Group

47	Cover Hose MZ-E (PU=40m)	WS-2
48	Gun Plug Housing Swivel	MZ-K2-008
49	Spring Cable Support	MZ-K2-010
	Single Ear Clamp	
53	D = 11,8	11.8GER
55	D = 8,7	08.7GER
58	D = 10,0	10.0GER
59	Water Hose Nipple	T0535
	Water Stop	
60	blue	TZ-KAPPE-1
65	red	TZ-KAPPE-2
63	Water Outlet Hose cpl. 0,55m	2414705
64	Water Hose red Ø 5,0x1,5 (PU=200m)	CR05/8 RO
80	Cable Support Spring	2411611
81	Plug Housing without nut	2411600S1
82	Nipple Threaded	2411501
83	Gun Plug Body with Spring Loaded Pins	2411505
84	Female Electrical Connector insulated	2155100
	Nut	
85	Liner Positioner	2151501
87	Plug	ZA-14
86	Screw for Gun Plug Body	ZA-11

Liner Group 5

100	Mono-Steel-Liner	
	2,0 x 4,5 mm / X m*	34520X1
	2,5 x 4,5 mm / X m	34525X1
101	Mono-Synthetic-Liner	
	PTFE 2,0 x 4,0 mm / X m red	34120X0
	PTFE 2,7 x 4,7 mm / X m yellow	34727X0
	Carbon-PTFE 2,0 x 4,0 mm / X m	35120X0
	Carbon-PTFE 2,7 x 4,7 mm / X m	35727X0
	PA 2,0 x 4,0 mm / X m	35220X0
	PA 2,3 x 4,7 mm / X m	35323X0
	PA 2,7 x 4,7 mm / X m	35327X0
102	Combi-Synthetic-Liner	
	PTFE 2,0 x 4,0 mm / X m red	34120X0K
	PTFE 2,7 x 4,7 mm / X m yellow	34727X0K
	Carbon-PTFE 2,0 x 4,0 mm / X m	35120X0K
	Carbon-PTFE 2,7 x 4,7 mm / X m	35727X0K
	PA 2,0 x 4,0 mm / X m	35320X0K
	PA 2,3 x 4,7 mm / X m	35323X0K
	PA 2,7 x 4,7 mm / X m	35327X0K

i Liners available in 3 m / 4 m / 5 m length. Please insert length at X. Example: Steel-Liner 4 m = 3452041

***** Parts marked with * are included in the standard configuration

	Collet (Mono & Combi)	
103	for Steel-Liner Ø 4,5 mm	2155645
104	for Synthetic-Liner Ø 4,0 mm	2155740
104	for Synthetic-Liner Ø 4,7 mm	2415747
105	O-Ring for Synthetic and Combi Liner	0031500

MIGZONE ENDURANCE SERIES

MZ-E 550W

MIGZONE®
TORCHES100
%ED0,8
-
1,6
mm550
A_{CO2}500
A_{MIX}**i Neck Variations**

You can get our whole MZ-E series
MIG Torches with rotating necks.

**Complete Torch**

MZ-E 550W cpl. with grey handle,
Euro-connection (Steel Liner 2,0x4,5mm)

3m	MZ-550WAA3E
4m	MZ-550WAA4E
5m	MZ-550WAA5E

MIGZONE MZ-E Series – air and watercooled MIG-Torch

DIN Norm

Technical data according to CE EN 60 974-7

The Handle

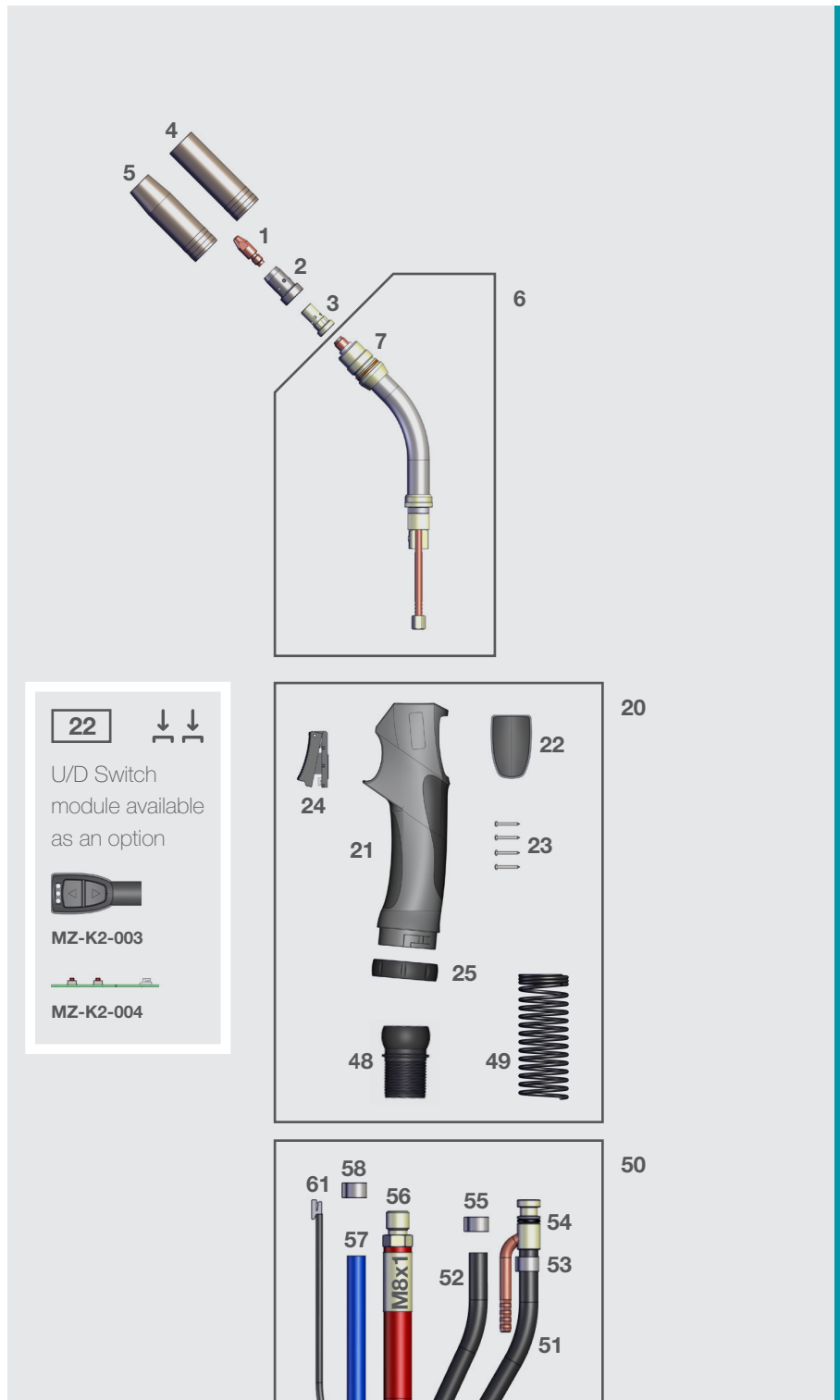
2-component handle - robust and ergonomic

The Trigger

U/D Module (Option)

The Gun and Cable

Premium components installed



Complete Torch

MZ-E 550W cpl. with grey handle, Euro-connection (Steel Liner 2,0x4,0mm)

3m	MZ-550WAA3E
4m	MZ-550WAA4E
5m	MZ-550WAA5E

Torch Front Group

1 Contact Tip Pro	M6x28	M8x30
ECu	-	24106xx
CuCrZr	-	24176xx
for Alu	-	24166xx
Contact Tip Eco	M6x28	M8x30
ECu	-	24106xxL
CuCrZr	-	24176xxL

i Tips available in Ø 0,8/0,9/1,0/1,2/1,4/1,6 mm
Please insert wire diameter at **xx**.
Example Ø **1,0** mm is: 10; Art.-No.: = 2410610

2 Gas Diffuser		
white*		2410702
black		2410700
Gas Diffuser Heavy Duty		2410702K
eco		2410702L
3 Tip Adapter	M6	M8
short L=25mm	-	2410408
short CuCrZr	-	2410408C
long L=29mm	-	-
Gas Nozzle screw-on L=76mm		
4 cylinder NW20		20016003
5 conical NW16*		200160031
6 Swan Neck MZ-E 550W		
for screw-on Gas Nozzle		550WM100
7 O-Ring		
for Swan Neck		21201029

Handle Group

20 MIG-Handle MZ-K2, grey		
complete, watercooled		MZ-HDL-K2G-W
21 MIG-Handle MZ-K2, grey		
left + right half		MZ-K2-001
22 Neutral top		
MZ-K2		MZ-K2-002
23 Screw for Handle		MZ-K2-005
24 Trigger cpl.		
MZ-K2		MZ-K2-006
25 Nut for Handle MZ-K2		MZ-K2-007

Cable Group

48 Gun Plug Housing		
Swivel		MZ-K2-008
49 Spring		
Cable Support		MZ-K2-010
Single Ear Clamp		
53 D = 11,8		11.8GER
55 D = 8,7		08.7GER
58 D = 10,0		10.0GER
52 Gas Hose		
Ø 4,0x1,5 (PU=100m)		0550111
54 Connector		
Wire-Gas		21201027
57 Water Hose		
blue Ø 5,0x1,5, (PU=200m)		CR05/8 BL

22 U/D Switch module available as an option

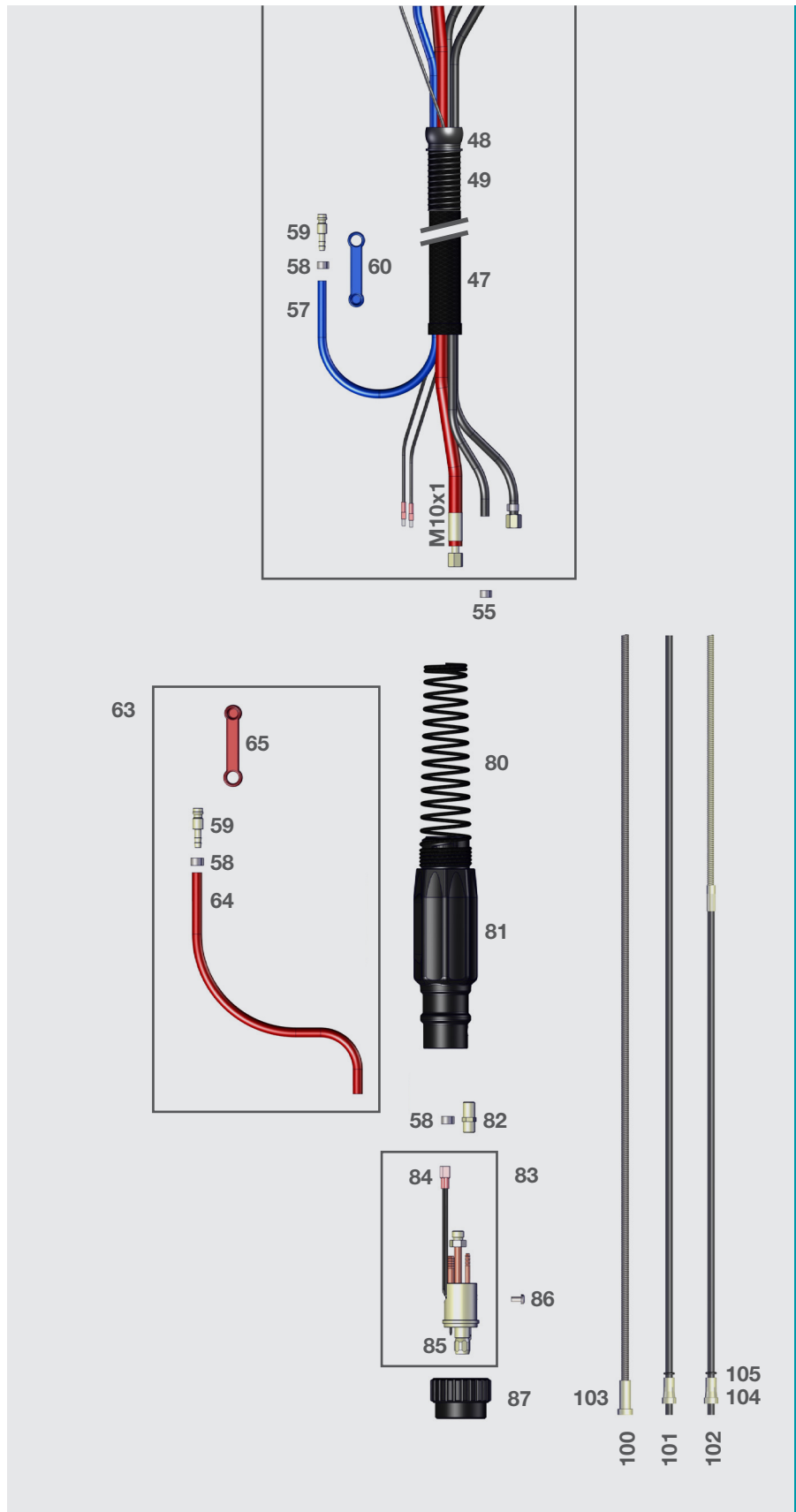
MZ-K2-003

MZ-K2-004

Cable Group

Part	3m	4m	5m
50 Cable Assembly MZ-E cpl.	24139M30	24139M40	24139M50
51 Outer Liner MZ-E cpl.	25146M30	25146M40	25146M50
56 Power Cable cpl.	2414130	2414140	2414150
61 Control Cable MZ-E cpl.	24144M30	24144M40	24144M50

* Parts marked with * are included in the standard configuration



Cable Group

47	Cover Hose MZ-E (PU=40m)	WS-2
48	Gun Plug Housing Swivel	MZ-K2-008
49	Spring Cable Support	MZ-K2-010
	Single Ear Clamp	
53	D = 11,8	11.8GER
55	D = 8,7	08.7GER
58	D = 10,0	10.0GER
59	Water Hose Nipple	T0535
	Water Stop	
60	blue	TZ-KAPPE-1
65	red	TZ-KAPPE-2
63	Water Outlet Hose cpl. 0,55m	2414705
64	Water Hose red Ø 5,0x1,5 (PU=200m)	CR05/8 RO
80	Cable Support Spring	2411611
81	Plug Housing without nut	2411600S1
82	Nipple Threaded	2411501
83	Gun Plug Body with Spring Loaded Pins	2411505
84	Female Electrical Connector insulated	2155100
	Nut	
85	Liner Positioner	2151501
87	Plug	ZA-14
86	Screw for Gun Plug Body	ZA-11

Liner Group 5

100	Mono-Steel-Liner	
	2,0 x 4,5 mm / X m*	34520X1
	2,5 x 4,5 mm / X m	34525X1
101	Mono-Synthetic-Liner	
	PTFE 2,0 x 4,0 mm / X m red	34120X0
	PTFE 2,7 x 4,7 mm / X m yellow	34727X0
	Carbon-PTFE 2,0 x 4,0 mm / X m	35120X0
	Carbon-PTFE 2,7 x 4,7 mm / X m	35727X0
	PA 2,0 x 4,0 mm / X m	35220X0
	PA 2,3 x 4,7 mm / X m	35323X0
	PA 2,7 x 4,7 mm / X m	35327X0
102	Combi-Synthetic-Liner	
	PTFE 2,0 x 4,0 mm / X m red	34120X0K
	PTFE 2,7 x 4,7 mm / X m yellow	34727X0K
	Carbon-PTFE 2,0 x 4,0 mm / X m	35120X0K
	Carbon-PTFE 2,7 x 4,7 mm / X m	35727X0K
	PA 2,0 x 4,0 mm / X m	35320X0K
	PA 2,3 x 4,7 mm / X m	35323X0K
	PA 2,7 x 4,7 mm / X m	35327X0K

i Liners available in 3 m / 4 m / 5 m length. Please insert length at X. Example: Steel-Liner 4 m = 3452041

***** Parts marked with * are included in the standard configuration

	Collet (Mono & Combi)	
103	for Steel-Liner Ø 4,5 mm	2155645
104	for Synthetic-Liner Ø 4,0 mm	2155740
104	for Synthetic-Liner Ø 4,7 mm	2415747
105	O-Ring for Synthetic and Combi Liner	0031500

