

HANDLE SERIES TIGZONE HD

Are you working on the construction site or in an environment where rough conditions prevail? Then the TIGZONE HD with its robust design, high frequency characteristics and metal switch blades for more finger control is the right choice. The handle is equipped with a microswitch with gold contacts and is completely insulated thanks to the switch sleeve. The switch module is available as a flat, curved single module or as a red/green double print, depending on your needs. The TIGZONE HD is available in three sizes: Small, Medium, and Large.




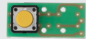


Trigger / Switches Parts			Trigger / Switches Complete	
SW-1-3 	SW-1-1 	SW-1-2 	SW-1 	SW-4
SW-1-4 			SW-1F 	SL-3 Switch Lever for SW-1F

	Compatible Torches	Adapter	Handle	Switch Boot
TIG	AE9, AE9SN, AE17, AE17SN, AE150		H-100 	BS-1
	CK9, CK17, CK24, CKPF130, MR70, FL130, FL150		CK-HS 	
TIG	AQ20, AE24, AQ24, AQ225, AQ225SN, AQ250SN	HI-100G 	H-100G 	BM-1
	CK20, CK25, CK24W, MR140, FL230, FL250		CK-H23 	
	CK230, TL26, TL18			
TIG	AQ18, AQ18SC, AE26, AE200, AE300		H-200 	BL-1
	CK18, CK26, CK510		CK-HL 	

HANDLE SERIES TIGZONE Ergo

The TIGZONE Ergo not only impresses with its high frequency properties but is also suitable for both right-handed and left-handed users thanks to its ergonomic design. The switch module is available as a single-pressure or double-pressure version. The handle is particularly easy to repair, as no screws or tools are required, and is available in size Small and Large.



Trigger / Switches Parts	
TZ-RB-1 	TZ-BB-3 
TZ-RB-2 	TZ-BB-4 

	Compatible Torches	Handle
TIG 	AE9, AE9SN, AE17, AE17SN, AE150 AQ20, AE24, AQ24, AQ225, AQ225SN, AQ250SN	TZ-S-T 
	CK230, TL26, TL18 CK9, CK17, CK24, CKPF130, MR70, FL130, FL150 CK20, CK25, CK24W, MR140, FL230, FL250	
TIG 	AQ18, AQ18SC, AE26, AE200, AE300	TZ-L-T 
	CK18, CK26, CK510	

HANDLE SERIES TIGZONE Butterfly

The TIGZONE Butterfly handle has a lightweight design and a ball-and-socket joint that adapts ergonomically to any hand. The special feature of the Butterfly is that it has an up/down function with four buttons. This allows users to send a digital signal to the machine to adjust the power up and down. The switch module of the TIGZONE Butterfly is also available as a single or double switch version.



Trigger / Switches Parts			Handle sets Complete with Trigger	
TZ-BC-1 	TZ-BC-2 	TZ-BB-8 	TZ-BF-1 ↓ 	
		TZ-BB-9 	TZ-BF-2 ↓ ↓ 	
TZ-BC-3 	TZ-BB-5 	TZ-BFUP-T ↑ ↓ 		

Compatible Torches	Handle	Cable Support
AE9, 9SN, AE17, AE17SN, AE150, AQ20, AE24, AQ24, AQ225, AQ225SN, AQ250SN	TZ-BF-L/R 	TZ-BF-CS

TIG



CK9, CK17, CK24, CKPF130, MR70, MR140, CK20, CK25, CK24W, CK230, TL26, TL18, FL130, FL150, FL230, FL250

TZ-PS-1

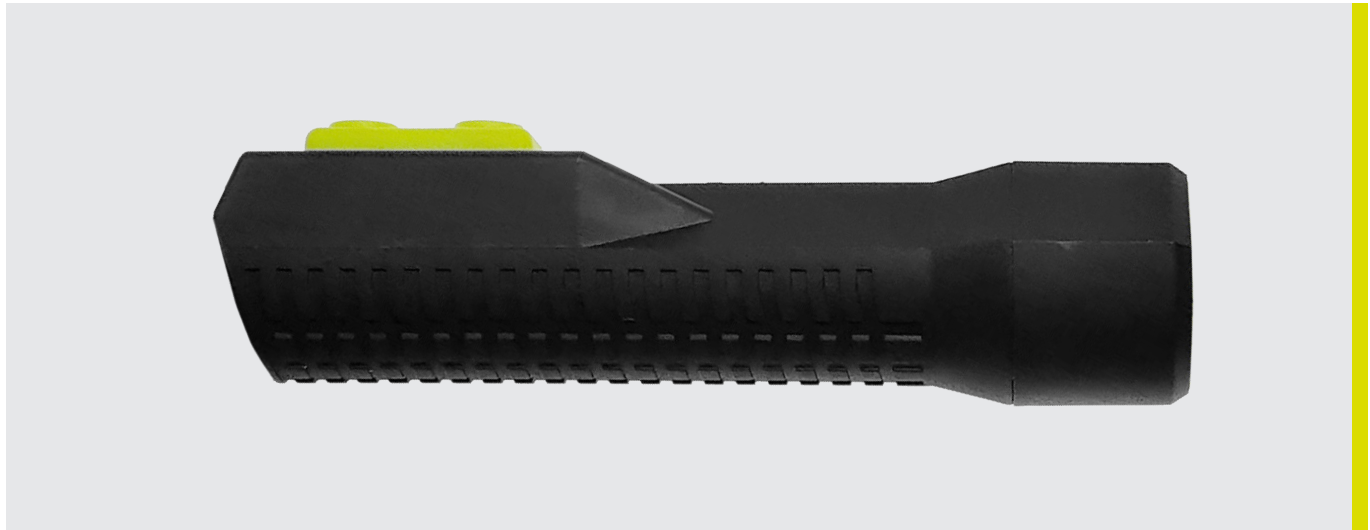
1 x


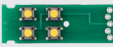






i Screws

You need 4 (four) screws to assemble one handle.

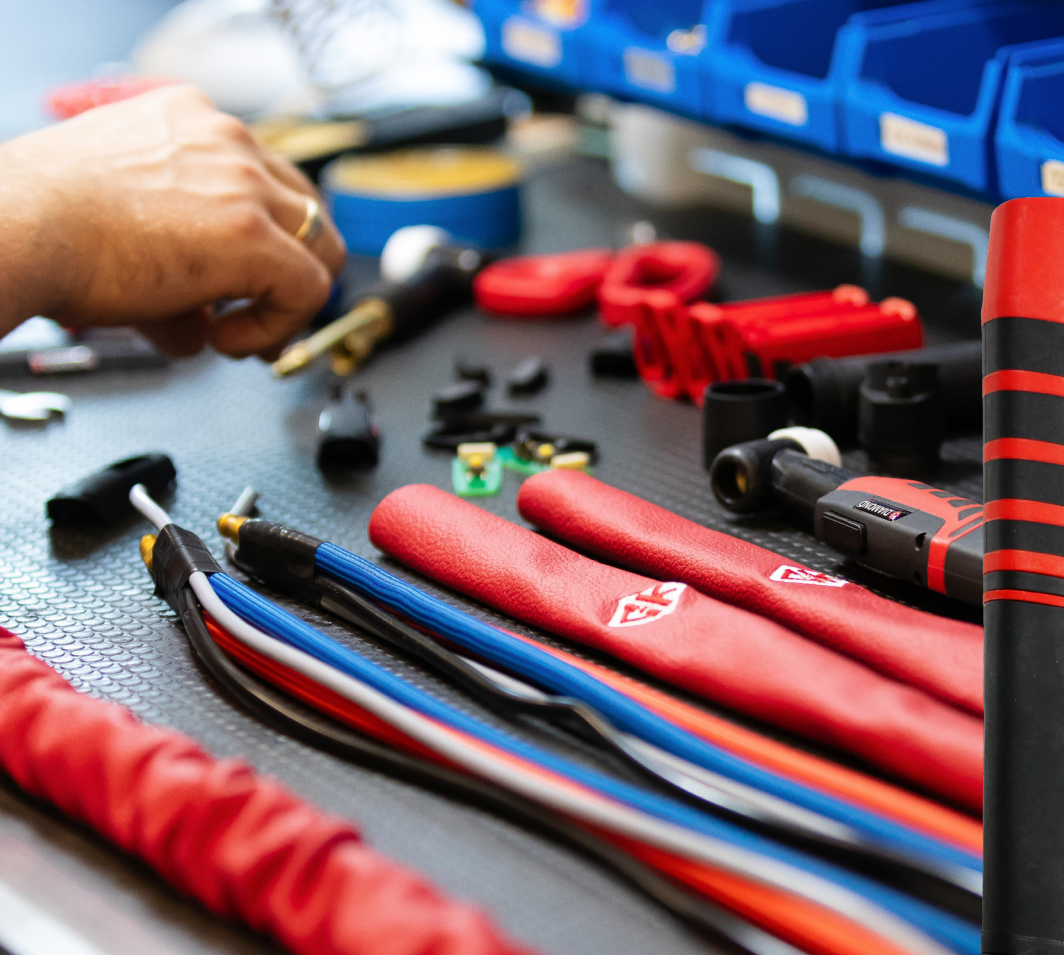
HANDLE SERIES TIGZONE Endurance

The very small and short TIGZONE Endurance handle is equipped with an up/down function to regulate the power up and down. And more: Due to its triangular shape, the handle can be used by both right-handed and left-handed users without turning. The switch module of the TIGZONE Endurance is also available as a single or double switch version.



Trigger / Switches Parts			Trigger / Switches Complete
AQH-BC-3 	TZ-BB-6 	AQH-PS-1 	AQH-BC-UD 
AQH-BC-2F 	TZ-BB-2 		
AQH-BC-1F 	TZ-BB-1 		

Compatible Torches	Switch	Handle	Parts Cap
TIG  AE130 AQ310 eVo13 eVo31	✓	ES110-SH 	 ES110-CC
	✗	AQ110-H 	✗
TIG  AE210 AQ410 eVo21 eVo41	✓	ES210-SH 	 ES210-CC
	✗	AQ210-H 	✗



HANDLE SERIES CK DIAMOND

The ergonomic handle of the European Diamond Series is available in both short and long configurations, optimized for comfort and balance during extended welding tasks. The handle integrates a low-profile on/off switch, designed for high-duty cycle use with minimal operator fatigue.

Internal Construction & Modular Switch System





Inside the handle lies a modular architecture that accepts interchangeable switch modules. Depending on application needs you can install a single-button, dual-button, lever-switch or up/down module. Each module can be configured to be either used on 2T or 4T operations.

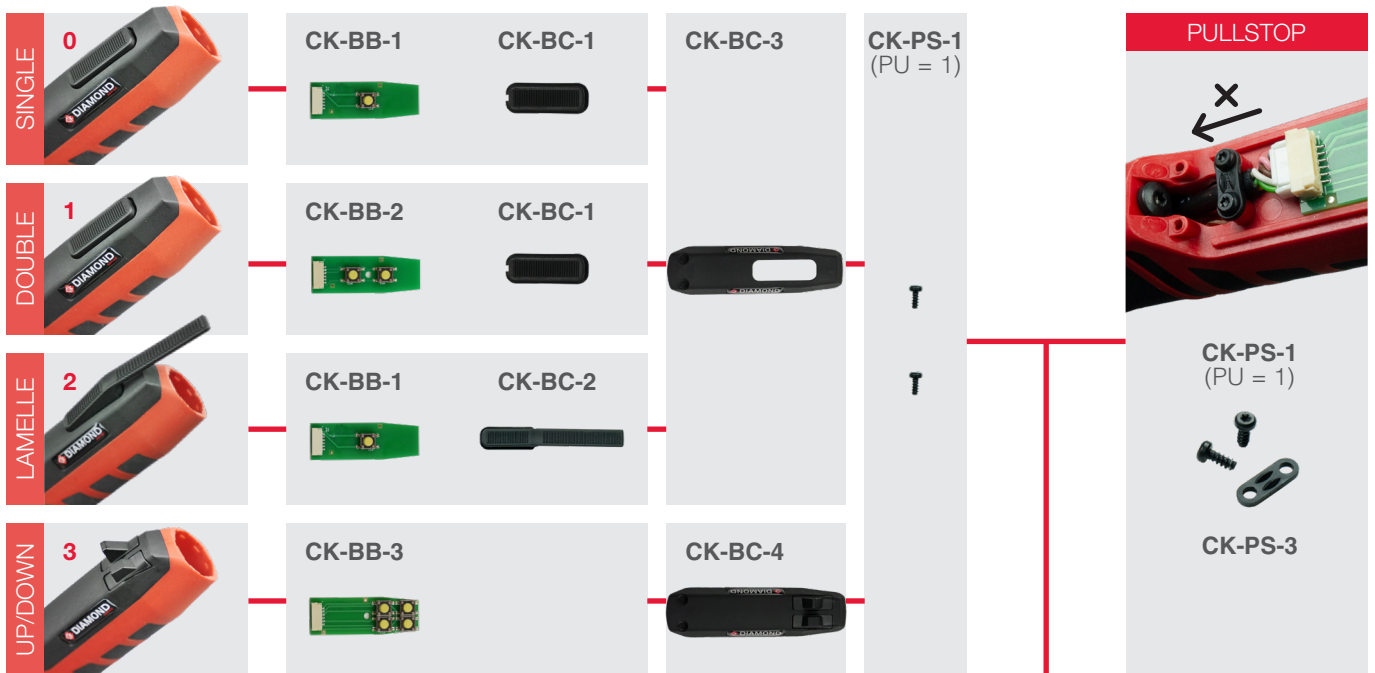
One Handle for all Torch Types

Depending on the model, the handle supports either air-cooled or water-cooled torch heads from the Diamond series.

Complete Grip Set

1 x Grip, 1 x Kink Protection, 1 x Switch + Switch Housing, 1 x Electronics, 1 x Pullstop, 4 x Screw (small), 1 x Screw

Switch Type	Short	Long (flex)
 Single	EDS0S	EDS0L
 Double	EDS1S	EDS1L
 Lamelle	EDS2S	EDS2L
 Up/Down	EDS3S	EDS3L




Serial: **EDSHDL**

Handle

European Diamond Series

Thanks to the modular design of this handle, repairs as well as the replacement of individual components are particularly simple and service-friendly.




i



Cable Information
The variants and serial numbers of the cable package and it's part are listed on the torch pages.